

Tanaka Illustrated Parts Manual

Model Number:

TOB-300

3 HP Outboard Motor

P/N 24218

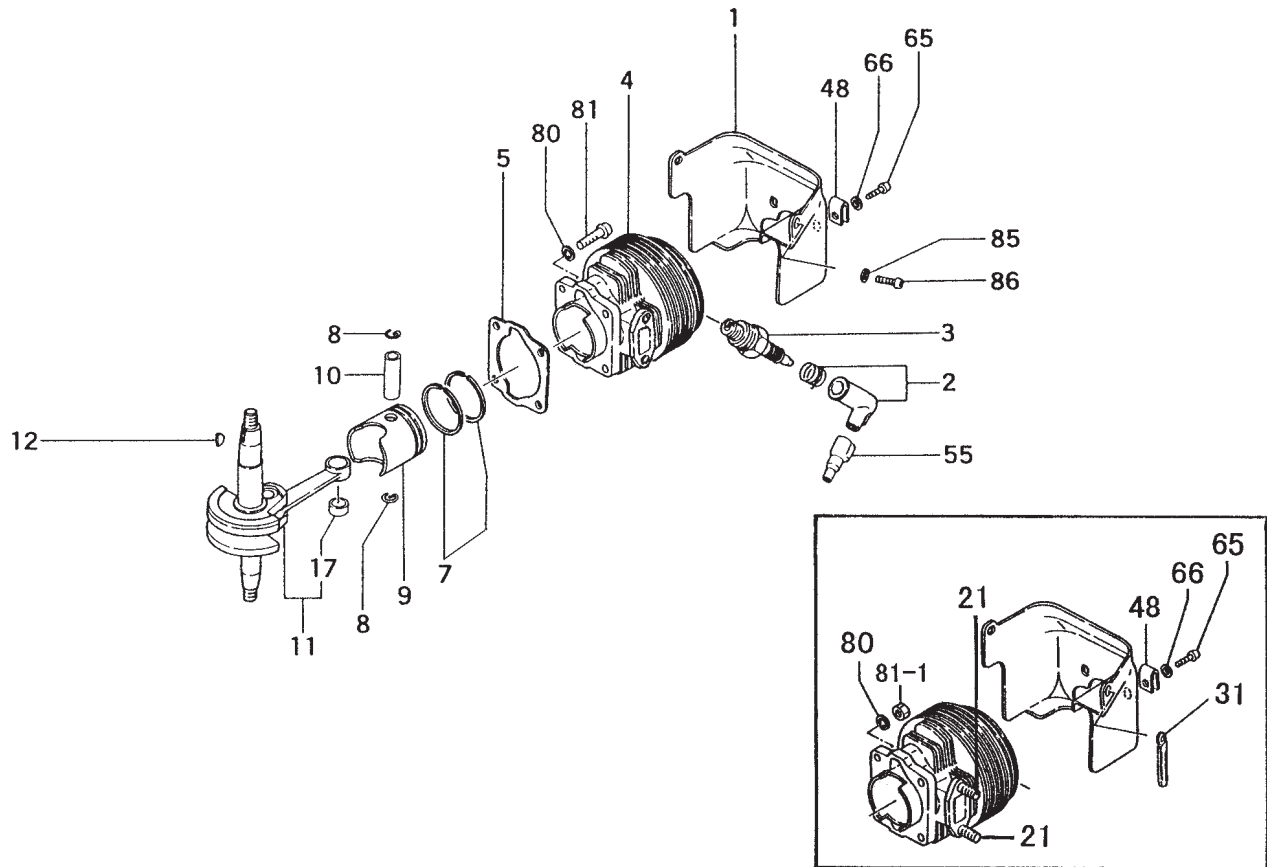
Rev 000

Date 6-19-08

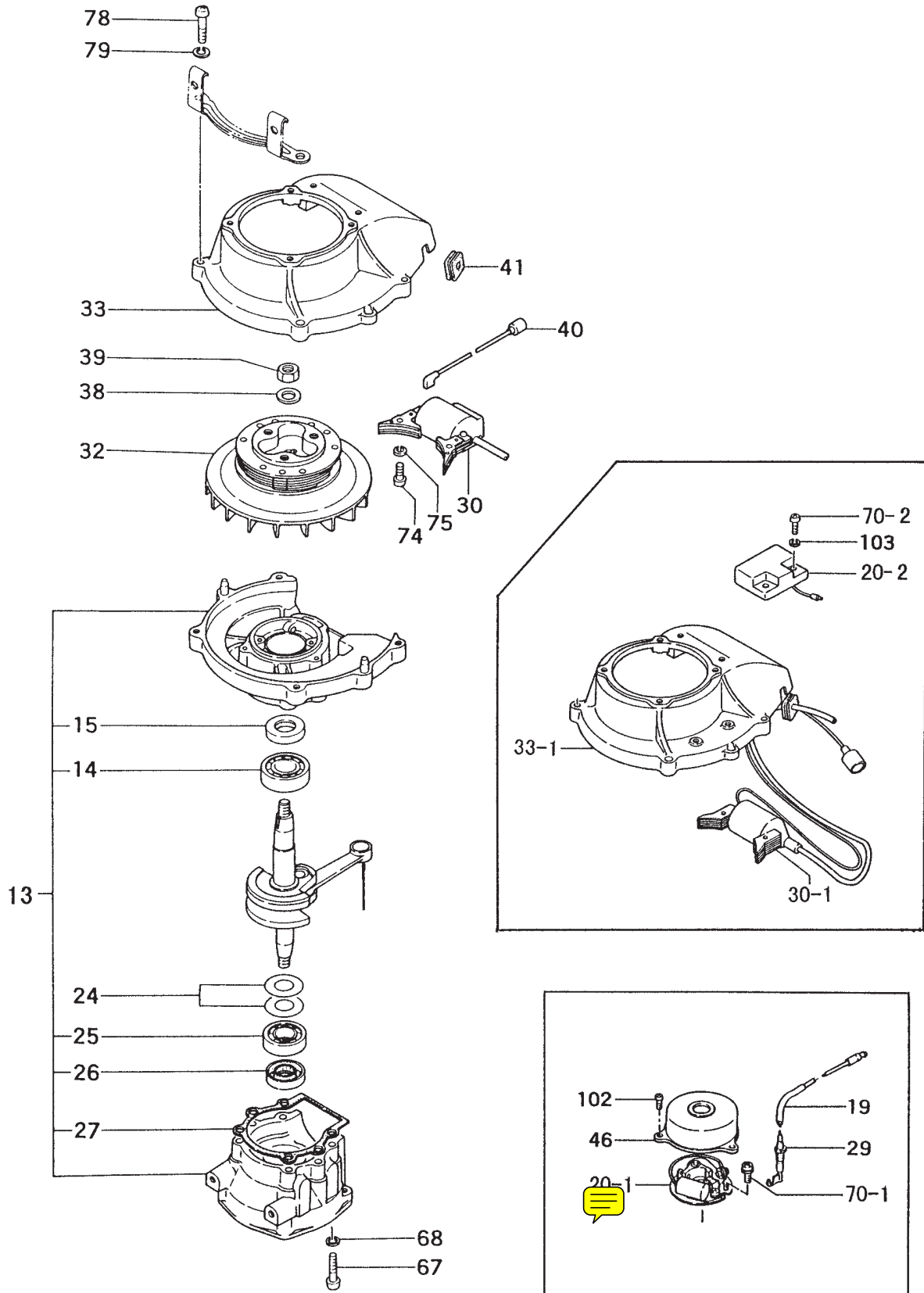


Nikko Tanaka Engineering U.S.A.,Ltd. • 1028 4th Street SW, Bldg B • Auburn, WA 98001 • Phone: (253) 333-1200 • Fax: (253) 333-1212

CYLINDER, PISTON, CRANKSHAFT • FIGURE 1

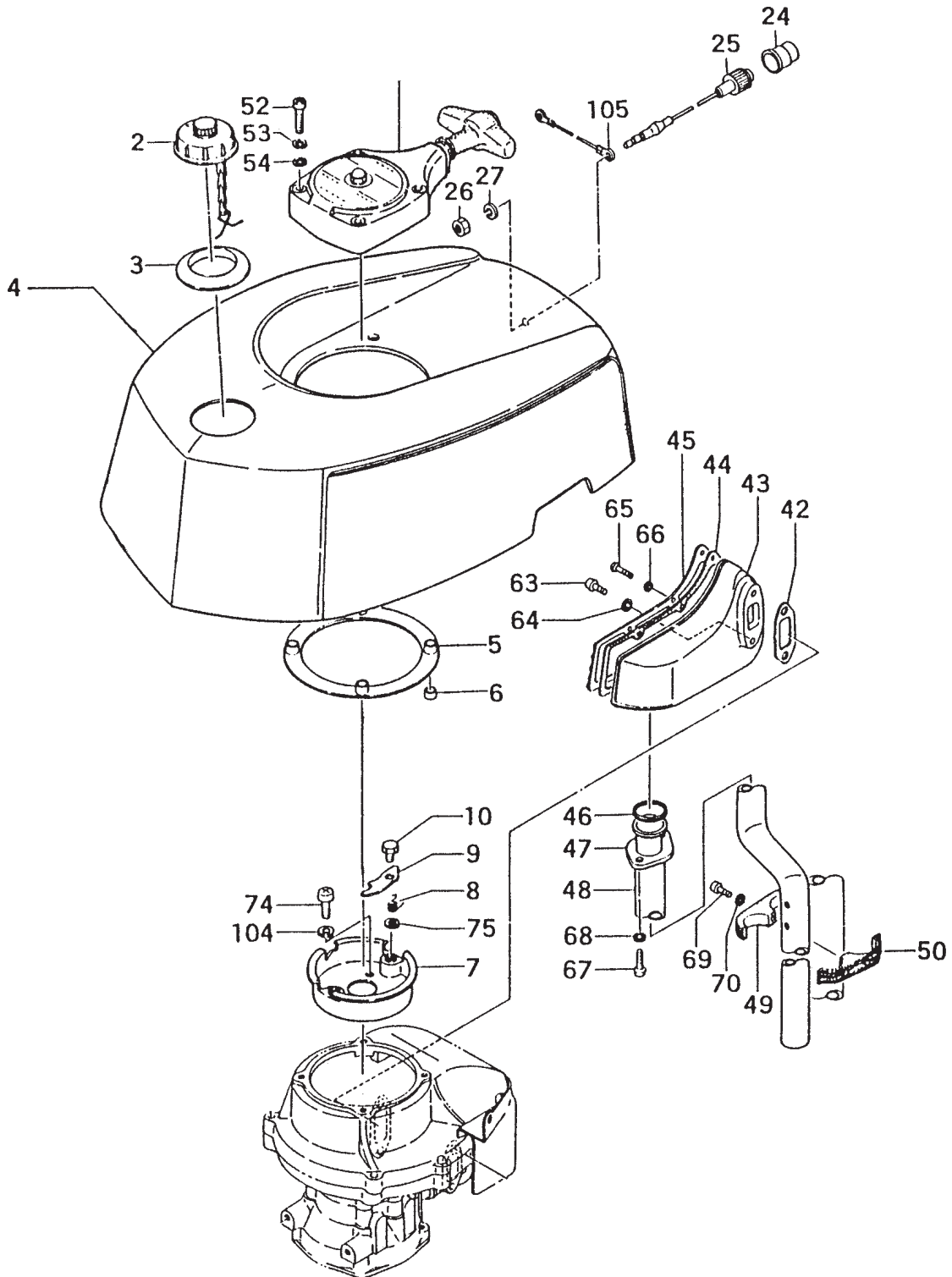


ITEM	PART NUMBER	DESCRIPTION	QTY	COMMENTS
1	016-10201-201	SHROUD,CYLINDER	1	
2	157-01570-900	CAP,SPARK PLUG,ASS'Y	1	
3	018-01805-200	PLUG,SPARK	1	
4	002-10200-81	CYLINDER	1	
5	017-10200-21	GASKET,CYLINDER	1	
7	041-10100-201	RING,PISTON	2	
8	039-02000-201	CIRCLIP,PISTON PIN	2	
9	031-10100-210	PISTON	1	
10	037-10100-200	PIN,PISTON,10X35	1	
11	046-10201-802	CRANKSHAFT	1	Before serial # C183862
11	046-10242-80	CRANKSHAFT	1	Serial # C183863 and after
12	068-02000-200	KEY,WOODRUFF,3X13X5	1	
17	999-62101-004	BEARING,NEEDLE,F1010B	1	
21	100-01000-200	BOLT,STUD,6X29	2	All before serial # R234652
31	198-05015-800	CLAMP,CORD	1	
48	198-11109-200	CLAMP,CORD	1	
55	256-01046-200	COVER,SPARK PLUG	1	
65	990-11050-102	SCREW 5X10	2	
66	992-01050-041	WASHER,5	2	
80	992-10060-042	WASHER,S,6	4	
81-1	991-01060-021	NUT,6	4	Before serial # F144501
81	990-11060-182	SCREW,6X18	4	Serial # F144502 and after
85	992-01050-041	WASHER,5	2	
86	990-11050-102	SCREW,5X10	2	



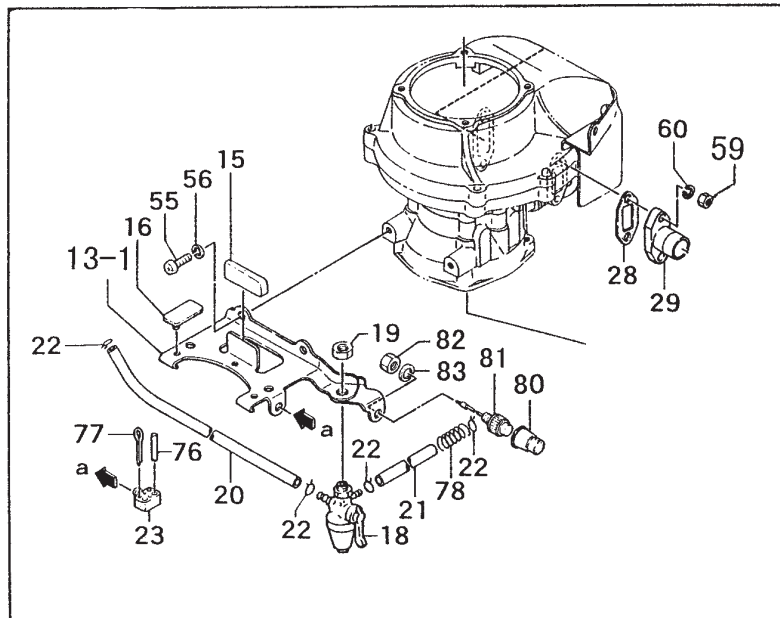
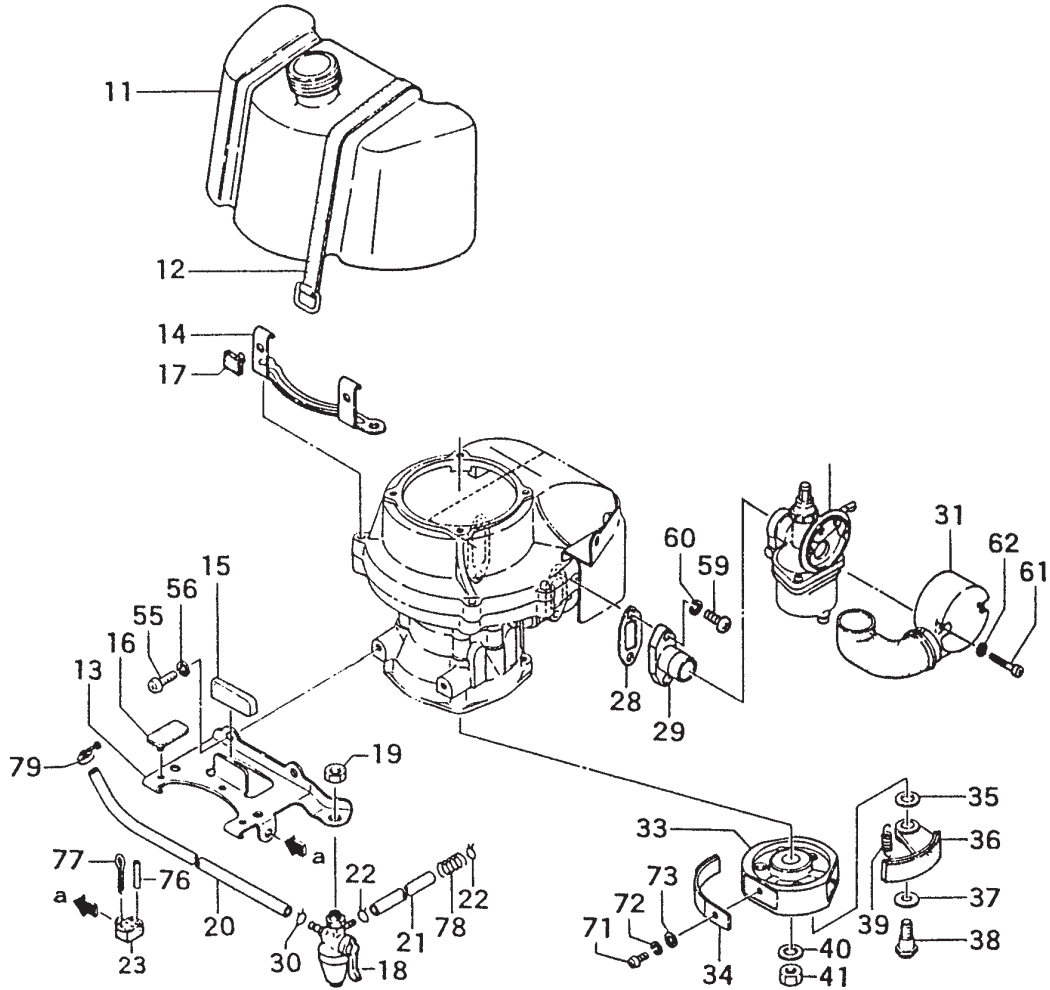
IGNITION, FLYWHEEL, CRANKCASE • FIGURE 2

ITEM	PART NUMBER	DESCRIPTION	QTY	COMMENTS
13	072-10201-900	CRANKCASE,ASSY	1	Before serial # C183862
13	072-10242-91	CRANKCASE,ASSY	1	Serial # C183863 and after
14	999-61620-300	BEARING,BALL,#6203	1	*Crankcase assy includes, bearings,
15	999-66173-000	SEAL,OIL,#17307	1	seals and gaskets
19	178-10100-800	CORD,STOP	1	
20-1	159-20201-901	BREAKER,CONTACT ASS'Y	1	Before serial # C183862
20-2	159-21401-870	IGNITOR,TTI-ID	1	Serial # C183863 and after
24	071-02007-210	SHIM,15.2X20X.10	V	*Shims are as needed to obtain
24	071-02007-220	SHIM,15.2X20X.15	V	correct c/s side clearance
24	071-11600-230	SHIM,16X21X.20	V	
24	071-11600-240	SHIM,16X21X.30	V	
25	999-61620-200	BEARING,BALL,#6202	1	
26	999-66153-000	SEAL,OIL,#15307	1	
27	090-10200-21	GASKET,CRANKCASE	1	
29	203-01225-201	GROMMET	1	
30-1	167-20751-801	COIL,IGNITION	1	Before serial # G027500
30	167-21954-800	COIL,IGNITION	1	Serial # G027501 and after
32	155-21717-801	ROTOR,MAGNETO	1	* Magneto includes starter pawls
33	112-10242-200	CASE,FAN	1	
38	992-01100-011	WASHER,10	1	
39	991-09100-001	NUT,10 L.H.	1	
40	178-0136M-800	CORD,STOP	1	
41	202-10200-201	GROMMET,SECONDARY CORD	1	
46	191-10201-200	COVER,CONTACT POINT	1	
48	198-11109-200	CLAMP,CORD	1	
68	992-10060-042	WASHER,S,6	4	
70-1	994-13040-101	SCREW,4X10	2	
70-2	990-11040-162	SCREW,4X16	2	
74	990-11040-182	SCREW,4X18	2	
75	992-10040-042	WASHER,S.4	2	
78	990-11060-252	SCREW,6X25	4	
79	992-10060-042	WASHER,S,6	4	
102	990-11040-102	SCREW,4X10	3	
103	992-10040-042	WASHER,S.4	2	



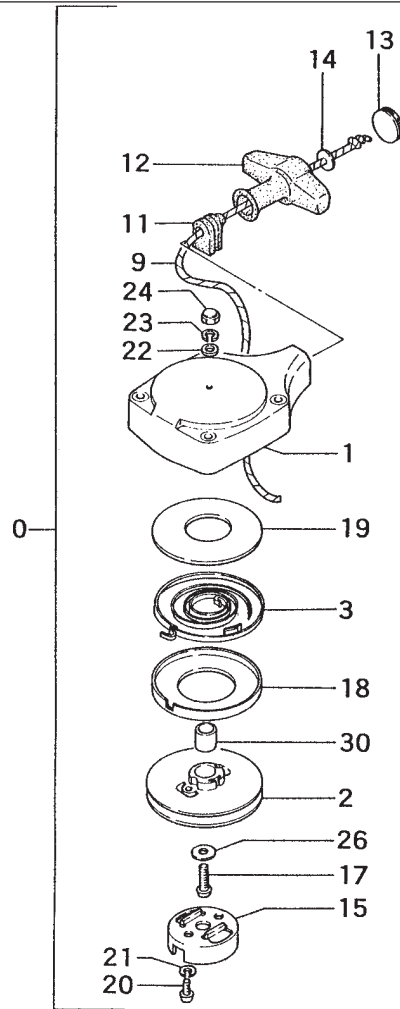
ENGINE COVER, MUFFLER, STARTER ASS'Y • FIGURE 3

ITEM	PART NUMBER	DESCRIPTION	QTY	COMMENTS
2	595-35100-902	CAP,TANK,ASSY	1	
3	630-35500-200	GASKET,TANK CAP	1	
4	300-35500-201	SHROUD,ENGINE	1	
5	305-35500-200	CUSHION	1	
6	659-00801-200	COLLAR	4	
7	829-10201-201	BASE,PAWL,STARTER	1	
8	790-10201-211	SPRING,STARTER PAWL	2	
9	788-10200-202	PAWL,STARTER	2	
10	793-10200-202	BOLT,STEP	2	
24	266-12700-200	COVER,STOP BUTTON	1	
25-1	170-10218-800	BUTTON,STOP	1	Before serial # K225630
25	170-10242-800	BUTTON,STOP	1	Serial # K225631 and after
26	180-01004-200	NUT,7	1	
27	992-10080-012	WASHER,S,8	1	
42	737-10242-200	GASKET,MUFFLER	1	
43	716-10201-200	BODY,MUFFLER,A	1	
44	737-10201-20	GASKET,MUFFLER	1	
45	717-10201-200	BODY,MUFFLER B	1	
46	221-35500-200	GASKET,MUFFLER PIPE	1	
47	226-35500-200	STAY,A,PIPE,ER	1	
48	220-35300-200	PIPE,MUFFLER	1	
49	225-35500-200	STAY,MUFFLER PIPE	1	
50	227-35500-200	STAY,MUFFLER PIPE B	1	
52	990-11050-452	SCREW,5X45	4	
53	992-10050-042	WASHER,S,5	4	
54	992-00050-041	WASHER,5	4	
63	990-11060-202	SCREW,6X20	2	
64	992-10060-042	WASHER,S,6	2	
65	990-11040-122	SCREW,4X12	7	
66	992-10040-042	WASHER,S,4	7	
67	990-11050-122	SCREW,5X12	2	
68	992-10050-042	WASHER,S,5	2	
69	990-11060-252	SCREW,6X25	1	
70	992-10060-042	WASHER,S,6	1	
74	990-11060-121	SCREW,6X12	3	
75	992-00050-011	WASHER,SMALL,5	2	
104	992-10060-012	WASHER,S,6	3	
105	274-10242-800	CORD,GROUND	1	

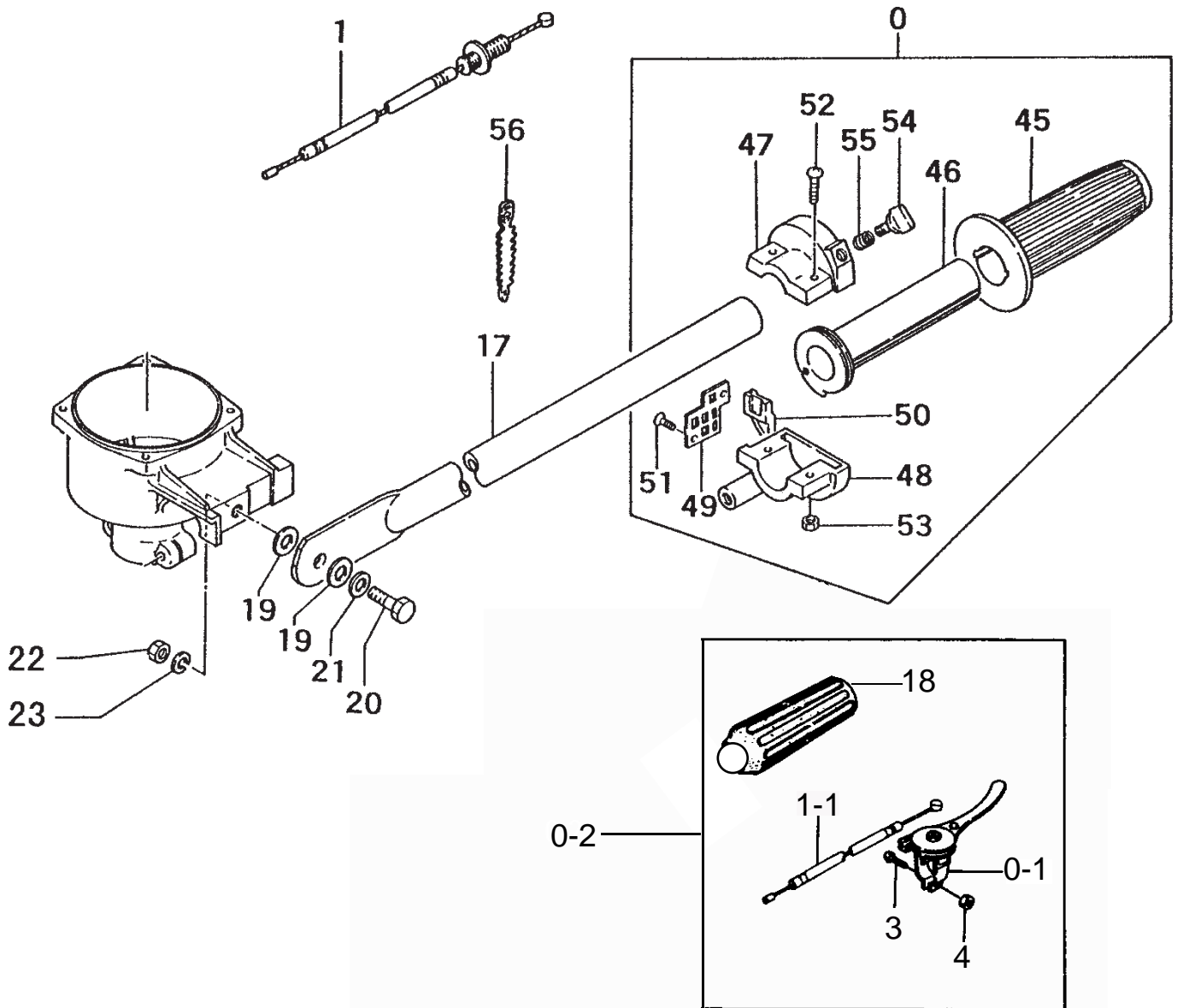


FUEL SYSTEM, CARBURETOR, CLUTCH • FIGURE 4

ITEM	PART NUMBER	DESCRIPTION	QTY	COMMENTS
11	401-35500-200	TANK, FUEL	1	
12	603-02101-803	BAND, TANK HOLDING	2	
13-1	653-10218-800	METAL, TANK HOLDING	1	Before serial # K225630
13	653-10201-201	BRACKET, TANK HOLDING	1	Serial # K225631 and after
14	654-10201-201	HOLDER, TANK, B	1	
15	965-34501-200	CUSHION, TANK	1	
16	655-10201-200	CUSHION, TANK	2	
17	655-0141A-200	CUSHION, TANK	2	
18	592-10201-900	PET-COCK, ASS'Y	1	
19	594-00517-200	NUT, PET-COCK	1	
20	700-15008-116	PIPE, FUEL, 5X8X116	1	
21	700-14508-140	PIPE, FUEL, 4.5X8X140	1	
22	680-01004-200	CLIP, 8	4	
23	021-35100-201	HOLDER, PIN	1	
28	403-02000-201	GASKET, INLET MANIFOLD	1	
29	393-02500-201	MANIFOLD, INLET	1	
30	680-03113-200	CLIP, 7.5	1	
31	410-10201-900	CLEANER, AIR ASS'Y	1	
33	347-01046-201	FLANGE, CLUTCH	1	
34	210-35300-800	SPRING, CLUTCH	3	
35	358-10112-201	WASHER, CLUTCH	3	
36	290-10112-802	ARM, CLUTCH	3	
37	359-10112-203	WASHER, CLUTCH B	3	
38	357-10112-204	BOLT, CLUTCH STEP	3	
39	342-10205-220	SPRING, CLUTCH	3	
40	992-01100-011	WASHER, 10	1	
41	991-09100-001	NUT, 10 L.H.	1	
55	990-11060-122	SCREW, 6X12	2	
56	992-10060-042	WASHER, S, 6	2	
59	991-01060-021	NUT, 6	2	
60	992-10060-012	WASHER, S, 6	2	
61	990-11040-302	SCREW, 4X30	2	
62	992-10040-042	WASHER, S, 4	2	
71	990-11050-122	SCREW, 5X12	3	
72	992-10050-042	WASHER, S, 5	3	
73	992-01050-041	WASHER, 5	3	
76	012-35500-200	PIN, SHEAR	2	
77	011-35100-201	PIN, COTTER	2	
78	702-30200-200	COIL, FUEL PIPE	1	
79	601-35560-900	CLAMP, HOSE	1	
80	266-12700-200	COVER, STOP BUTTON	1	~ K225630
81	170-10218-800	BUTTON, STOP	1	~ K225630
82	180-01004-200	NUT, 7	1	~ K225630
83	992-10080-012	WASHER, S, 8	1	~ K225630

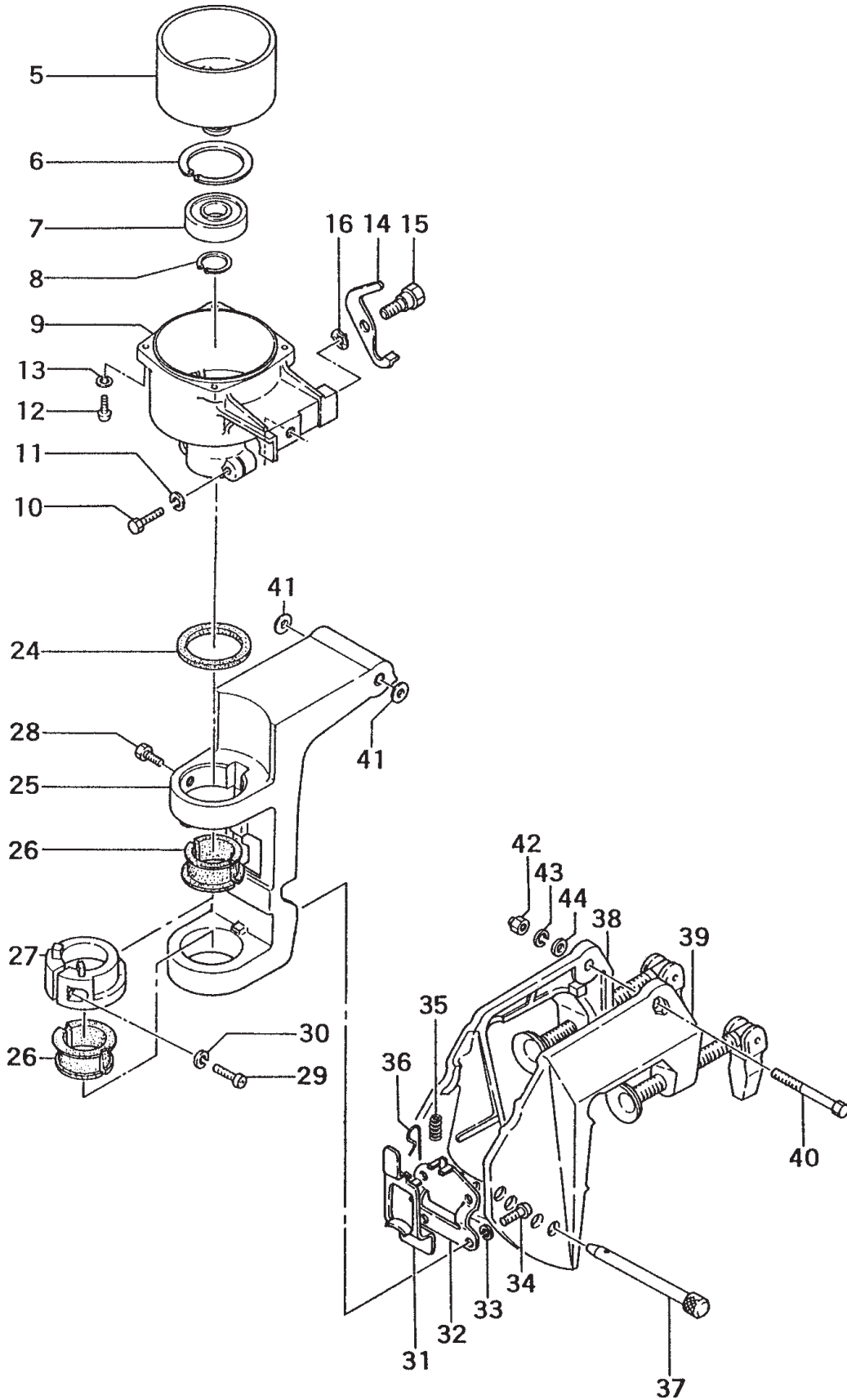


ITEM	PART NUMBER	DESCRIPTION	QTY	COMMENTS
0	756-10201-901	STARTER, RECOIL ASS'Y	1	
1	772-10201-200	BODY, STARTER, RECOIL	1	
2	774-10200-200	PULLEY, STARTER	1	
3	779-10200-203	SPRING, RECOIL	1	
9	783-01006-201	ROPE, STARTER, 4X1300	1	
11	780-10201-200	GUIDE, ROPE	1	
12	785-10207-201	HANDLE, STARTER	1	
13	833-10207-200	CAP, STARTER HANDLE	1	
14	992-01040-011	WASHER, 4	1	
15	773-10200-200	PULLEY, SHAFT/OUTER	1	
17	990-11050-251	SCREW, 5X25	1	
18	778-10200-200	CASE, SPRING, RECOIL	1	
19	827-10200-201	HOLDER, RECOIL SPRING	1	
20	990-11050-122	SCREW, 5X12	2	
21	992-10050-042	WASHER, S, 5	2	
22	992-01050-041	WASHER, 5	1	
23	992-10050-042	WASHER, S, 5	1	
24	991-41050-022	NUT, CAP 5	1	
26	786-10200-200	WASHER, STARTER	1	
30	791-10200-200	BUSHING, STARTER	1	



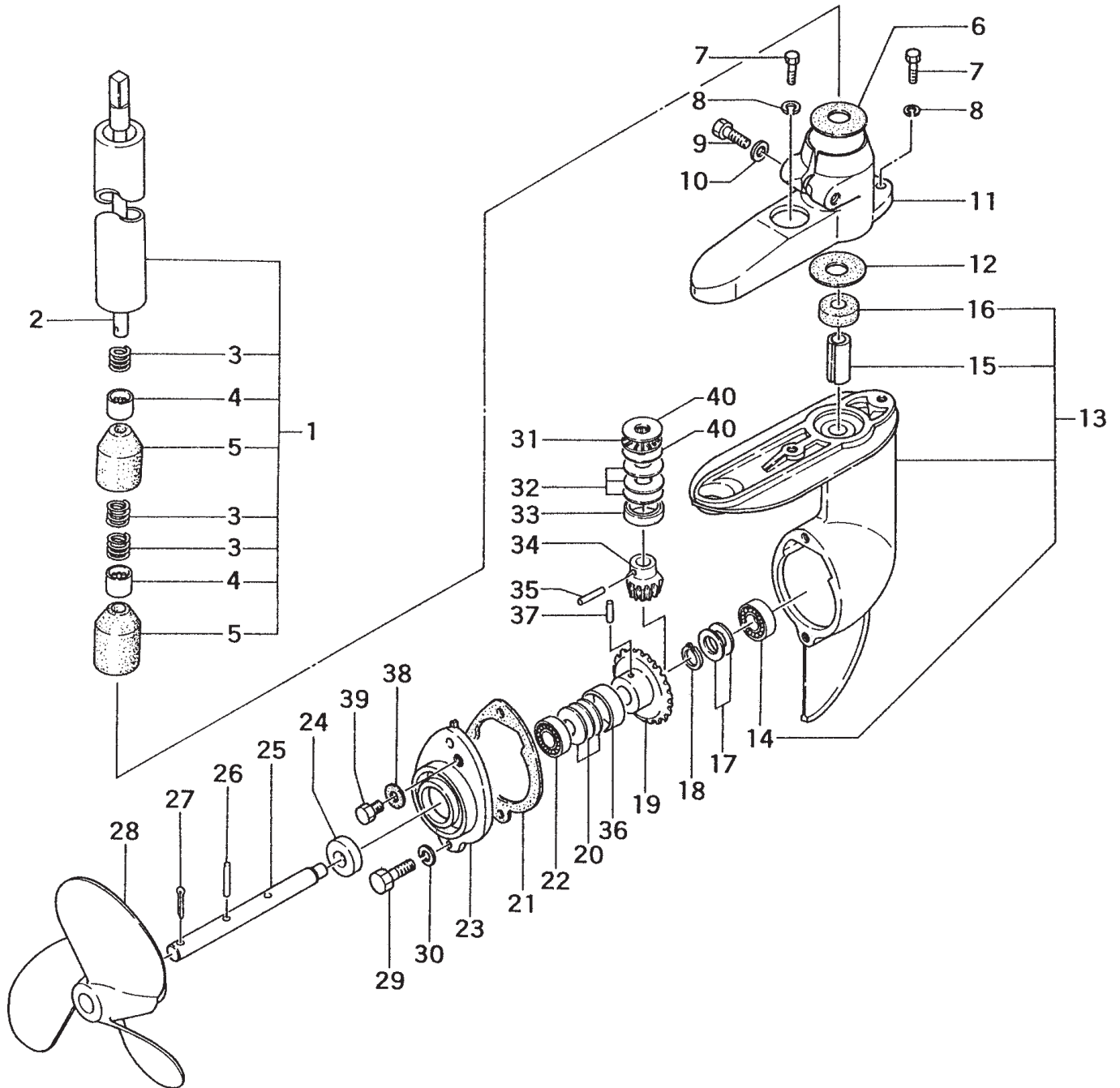
STEERING ARM, THROTTLE, TWIST GRIP • FIGURE 7

ITEM	PART NUMBER	DESCRIPTION	QTY	COMMENTS
0-1	870-00569-900	LEVER, THROTTLE ASS'Y	1	Before serial # C183862
0-2	870-35552-00	KIT, THROTTLE LEVER	1	Replaces twist grip
0	870-35552-900	GRIP, TWIST ASS'Y -- NLA --	1	Serial # C183863 and after
1	885-10201-800	WIRE, THROTTLE	1	Before serial # C183862
1	885-01058-80	WIRE, THROTTLE	1	Serial # C183863 and after
3	990-11050-202	SCREW, 5X20	1	
4	991-01050-021	NUT, 5	1	
17-1	160-35500-900	HANDLE, STEERING, ASS'Y	1	Before serial # C183862
17	160-35552-800	HANDLE, STEERING	1	Serial # C183863 and after
18	165-35100-202	HANDLE, GRIP	1	
19	162-35500-200	WASHER, HANDLE	2	
20	990-21080-302	BOLT, 8X30	1	
21	992-01080-041	WASHER, 8	1	
22	991-01080-021	NUT, 8	1	
23	992-10080-042	WASHER, S, 8	1	
45	871-35552-200	THROTTLE GRIP	1	
46	872-35552-200	PIPE, INNER THROTTLE	1	
47	873-35552-200	HOLDER, THROTTLE, A	1	
48	874-35552-200	HOLDER, THROTTLE, B	1	
49	875-35552-200	COVER, THROTTLE HOLDER	1	
50	876-35552-200	GUIDE, WIRE	1	
51	879-35552-200	SCREW, TAPPING, 3X10	2	
52	990-11050-202	SCREW, 5X20	2	
53	991-01050-021	NUT, 5	2	
54	877-35552-200	STOPPER, THROTTLE	1	
55	878-35552-200	SPRING, THROTTLE STOPPER	1	
56	903-32201-200	HOLDER, THROTTLE WIRE	1	



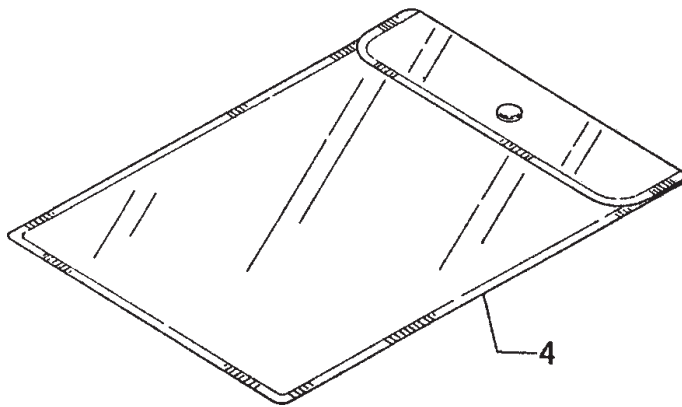
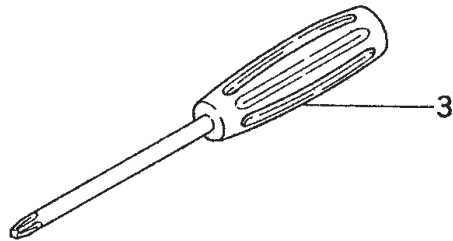
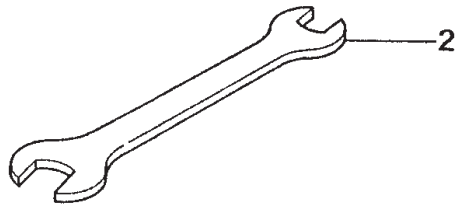
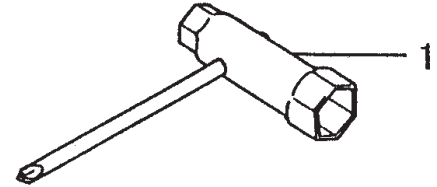
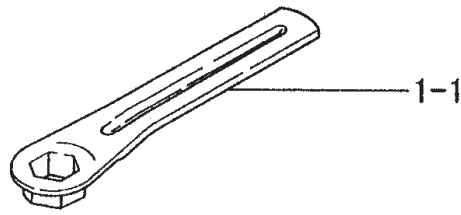
CLUTCH DRUM, MOUNTING BRACKET • FIGURE 8

ITEM	PART NUMBER	DESCRIPTION	QTY	COMMENTS
5	200-35300-800	SHAFT,CLUTCH	1	
6	993-51042-002	RING,STOP,C42	1	
7	999-61600-404	BEARING,BALL,#6004DD	1	
8	993-50020-002	RING,STOP,C20	1	
9	185-35300-204	CASE,CLUTCH	1	
10	990-21060-252	BOLT,6X25	2	
11	992-10060-042	WASHER,S,6	2	
12	990-11050-202	SCREW,5X20	4	
13	992-10050-042	WASHER,S,5	4	
14	161-35500-202	STOPPER,HANDLE	1	
15	793-10200-202	BOLT,STEP	1	
16	992-04080-030	WASHER,8	1	
24	134-35500-201	WASHER,THRUST	1	
25	115-35300-210	BRACKET	1	
26	131-35306-200	BUSHING,THRUST	4	
27	136-35500-201	CAM,RETURN	1	
28	990-21060-102	SCREW,6X10	1	
29	990-11050-162	SCREW,5X16	1	
30	992-10050-042	WASHER,S,5	1	
31	137-35500-201	GUIDE,RETURN CAM	1	
32	138-35500-201	PLATE,RETURN GUIDE	1	
33	992-10050-042	WASHER,S,5	4	
34	990-11050-122	SCREW,5X12	4	
35	139-35500-200	SPRING,RETURN	1	
36	129-35100-201	STOPPER,BRACKET PIN A	1	
37	123-35500-201	PIN,BRACKET S	1	
38	107-35118-801	BRACKET,CLAMP,B	1	
39	106-35119-801	BRACKET	1	
40	990-21060-752	BOLT,6X75	1	
41	108-35501-200	BUSHING,CLAMP BRACKET	2	
42	991-41060-022	NUT,CAP,6	1	
43	992-10060-042	WASHER,S,6	1	
44	992-01060-041	WASHER,2	1	

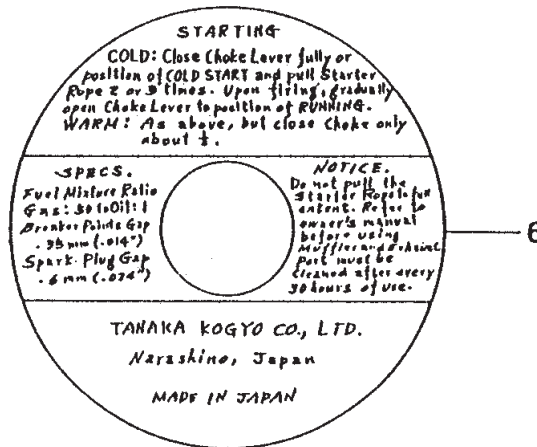
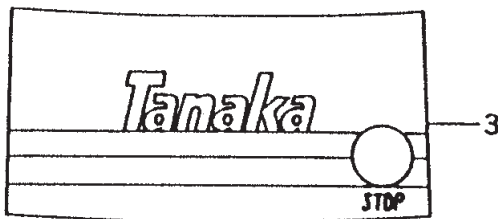
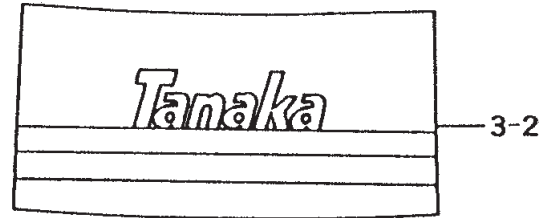
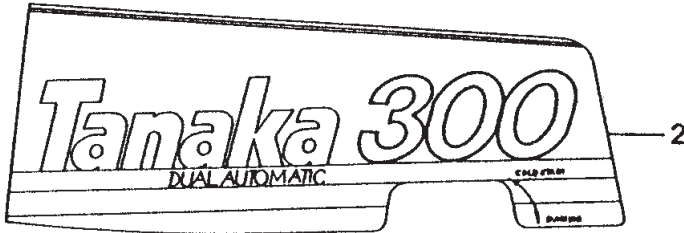
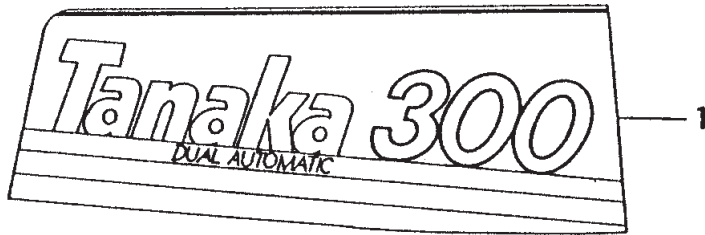


GEAR CASE, PROPELLER, DRIVE SHAFT • FIGURE 9

ITEM	PART NUMBER	DESCRIPTION	QTY	COMMENTS
1	090-35306-900	PIPE,DRIVE SHAFT ASS'Y	1	
2	075-35300-800	SHAFT,DRIVE	1	
3	086-35500-200	CLIP,BEARING HOLDER	3	
4	999-62101-521	BEARING,NEEDLE,1015	2	
5	039-35500-200	HOLDER,BEARING	2	
6	091-35500-200	GASKET,DRIVE SHAFT PIPE	1	
7	990-21060-182	BOLT,6X18	2	
8	992-10060-042	WASHER,S,6	2	
9	990-21080-402	BOLT,8X40	1	
10	992-10080-042	WASHER,S,8	1	
11	034-35500-201	HOLDER,GEAR CASE	1	
12	091-35500-200	GASKET,DRIVE SHAFT PIPE	1	
13	031-35500-900	CASE,GEAR ASS'Y	1	
14	999-61600-000	BEARING,BALL,#6000	1	
15	032-35500-210	BEARING,PLAIN,L	1	
16	999-66102-209	SEAL,OIL,#10228	1	
17	171-35500-201	SHIM,10.1X16X0.10	V	*Shims are as needed to obtain correct side clearance
17	173-35500-200	SHIM,10.1X16X.20	V	
17	174-35500-200	SHIM,10.1X16X.30	V	*Shims are as needed to obtain correct side clearance
17	175-35500-200	SHIM,10.1X16X1.0	V	
18	993-50010-002	RING,STOP,C-10 EX	1	
19	017-36120-201	GEAR	1	
20	330-00200-210	SHIM,12.2X19X.10	V	
20	330-00200-230	SHIM,12.2X19X.20	V	
20	330-00200-240	SHIM,12.2X19X.30	V	
21	048-35500-202	GASKET,CASE,GEAR	1	
22	999-61600-100	BEARING,BALL,#6001	1	
23	046-35500-200	COVER,GEAR CASE	1	
24	999-66122-240	SEAL,OIL,#12227	1	
25	019-35500-202	DRIVE SHAFT	1	
26	012-35500-200	PIN,SHEAR	1	
27	011-35100-201	PIN,COTTER	1	
28	010-35555-200	PROPELLER	1	
29	990-21060-182	BOLT,6X18	2	
30	992-10060-042	WASHER,S,6	2	
31	999-62102-463	BEARING,THRUST,#1024	1	
32	063-35500-200	SHIM,10.3X24X.50	V	*Shims are as needed to obtain correct side clearance
32	064-35500-200	SHIM,10.3X24X1.0	V	
32	065-35500-200	SHIM,10.3X24X1.5	V	
32	066-35500-200	SHIM,10.3X24X.20	V	
33	062-35500-200	COLLAR,PINION	1	
34	060-35300-200	PINION	1	
35	061-35500-200	PIN,PINION,4X16	1	
36	026-35500-200	COLLAR,GEAR	1	
37	025-35500-200	PIN,GEAR	1	
38	727-01040-201	GASKET,DRAIN	1	
39	990-21060-082	BOLT,6X8	1	
40	999-62102-464	WASHER,THRUST,#1024	1	



ITEM	PART NUMBER	DESCRIPTION	QTY	COMMENTS
1-1	851-20000-201	WRENCH, SPARK PLUG	1	Before serial # L088675
1	829-20000-80	SPANNER, COMBI, 13X19	1	Serial # L088676 and after
2	808-20000-200	SPANNER, 10X13	1	
3	862-20000-200	SCREW DRIVER, PHILLIPS	1	
4	948-39907-200	BAG, TOOL	1	



ITEM	PART NUMBER	DESCRIPTION	QTY	COMMENTS
1	330-35551-200	DECAL, RIGHT	1	
2	331-35551-200	DECAL, LEFT	1	
3	906-35551-210	DECAL	1	
6	336-35115-200	DECAL, STARTER	1	