

Tanaka Illustrated Parts Manual

Model Number:

TPH-2501

ARTICULATING POLE HEDGE TRIMMER

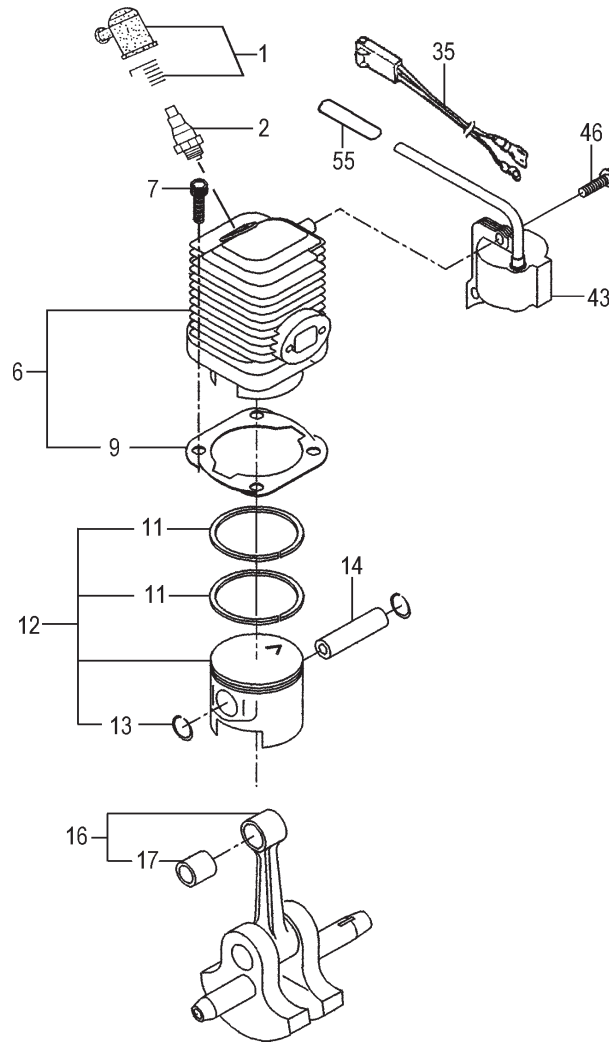
P/N 30240

Rev 000

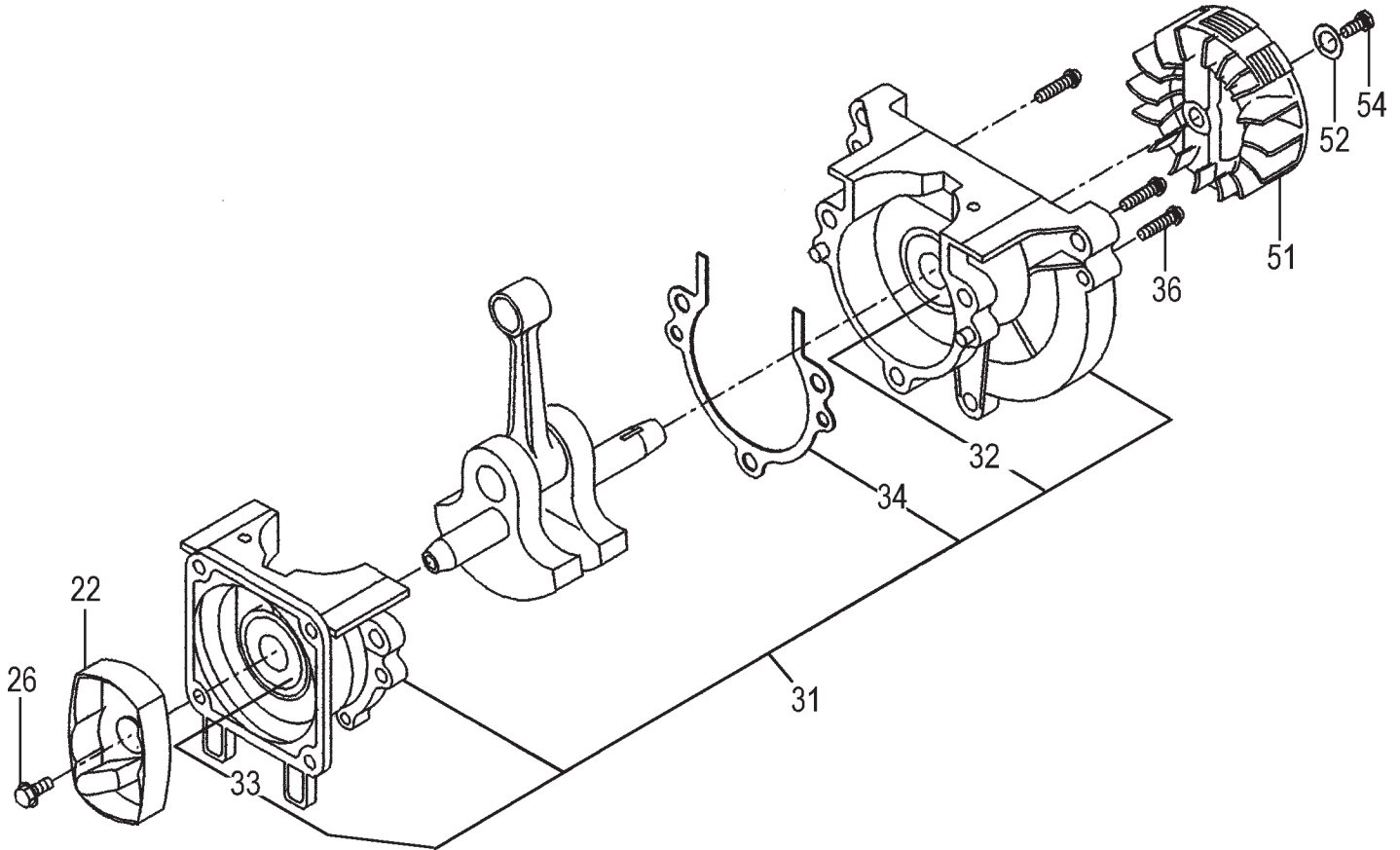
Date 10-24-07



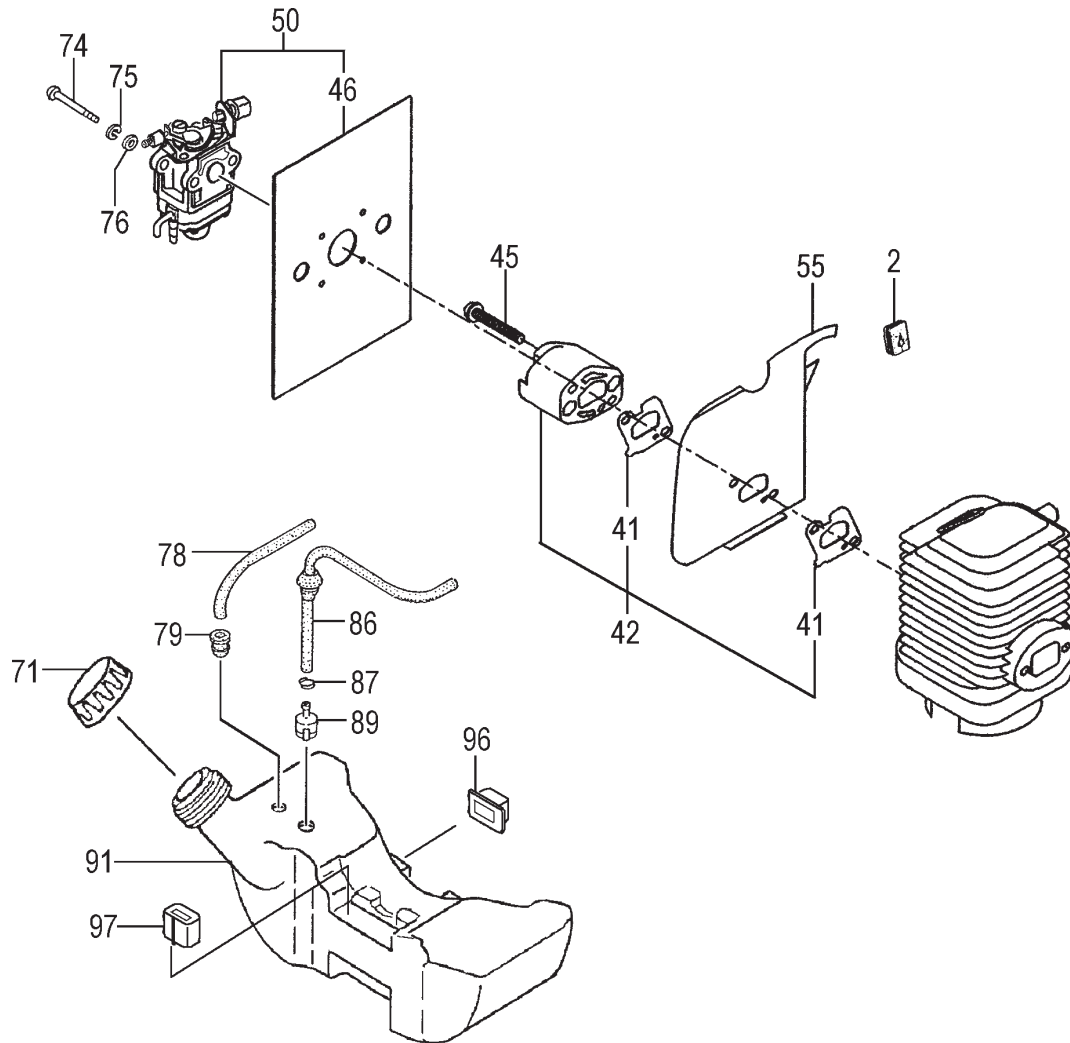
Nikko Tanaka Engineering U.S.A.,Ltd. • 1028 4th Street SW, Bldg B • Auburn, WA 98001 • Phone: (253) 333-1200 • Fax: (253) 333-1212



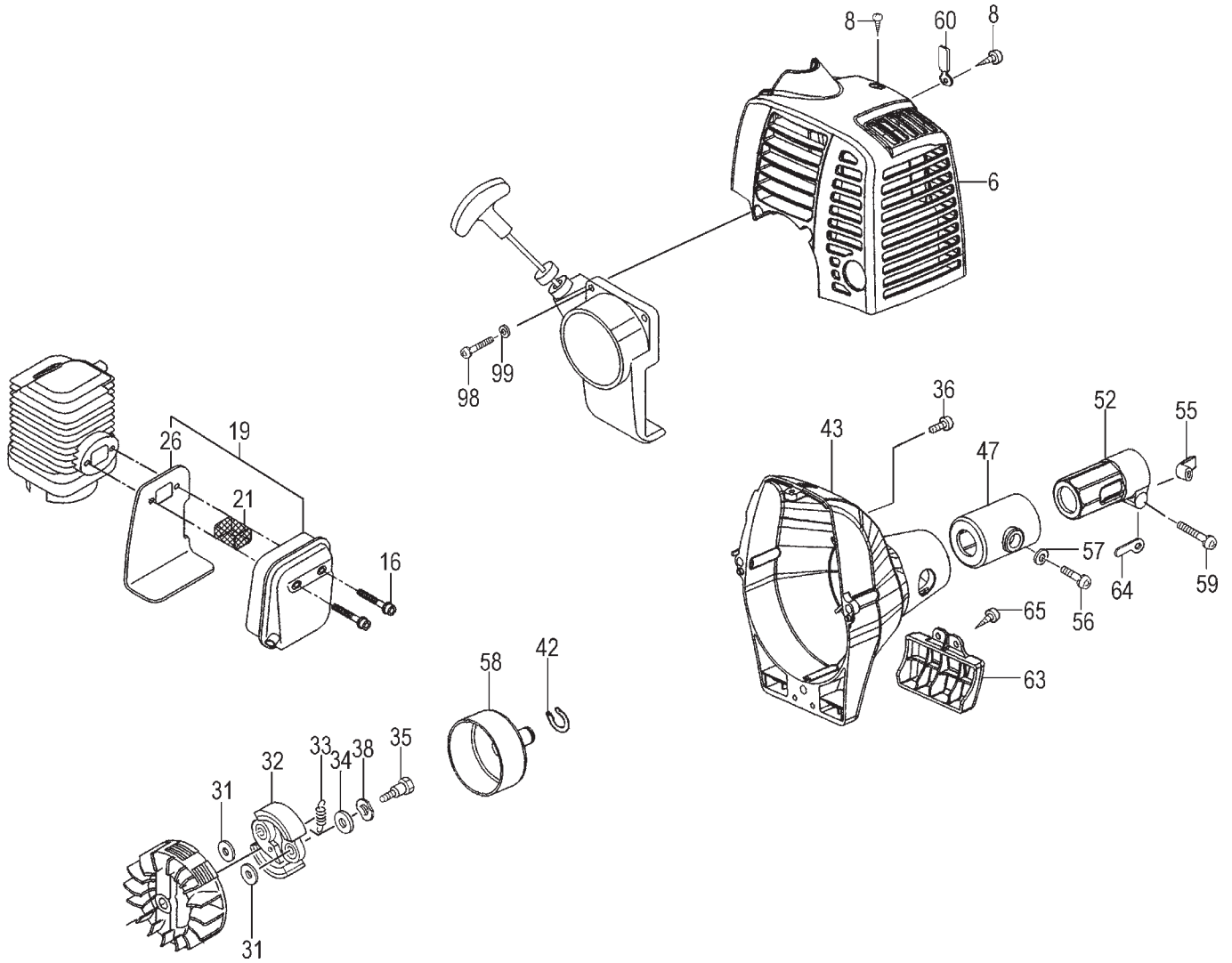
| ITEM | PART NUMBER | DESCRIPTION | QTY | COMMENTS |
|------|-------------|------------------------|-----|---------------------------------------|
| 1-1 | 15701570900 | CAP, SPARK PLUG, ASS'Y | 1 | |
| 1-2 | 01802233200 | PLUG, SPARK | 1 | |
| 1-6 | 0010706090 | SET, CYLINDER | 1 | Includes cylinder gasket |
| 1-7 | 99464050204 | SCREW, 5X20, WS | 2 | |
| 1-9 | 0170706020 | GASKET, CYLINDER | 1 | |
| 1-11 | 0410706020 | RING, PISTON | 2 | |
| 1-12 | 0300706590 | SET, PISTON | 1 | W200471~ Includes rings, and circlips |
| 1-12 | 0300706090 | SET, PISTON | 1 | ~W200470 Includes rings, and circlips |
| 1-13 | 0390706020 | CIRCLIP, PISTON PIN | 2 | |
| 1-14 | 0370706020 | PIN, PISTON | 1 | ~W200470 |
| 1-14 | 0370706520 | PIN, PISTON | 1 | W200471~ |
| 1-16 | 0460706090 | CRANKSHAFT | 1 | |
| 1-17 | 0890706080 | BEARING, NEEDLE | 1 | |
| 1-35 | 1780603180 | CORD, B260M | 1 | |
| 1-43 | 1670706080 | COIL, IGNITION | 1 | |
| 1-46 | 99416040201 | SCREW, 4x20 WS | 2 | |
| 1-55 | 2500706020 | TUBE, INSULATOR | 1 | |



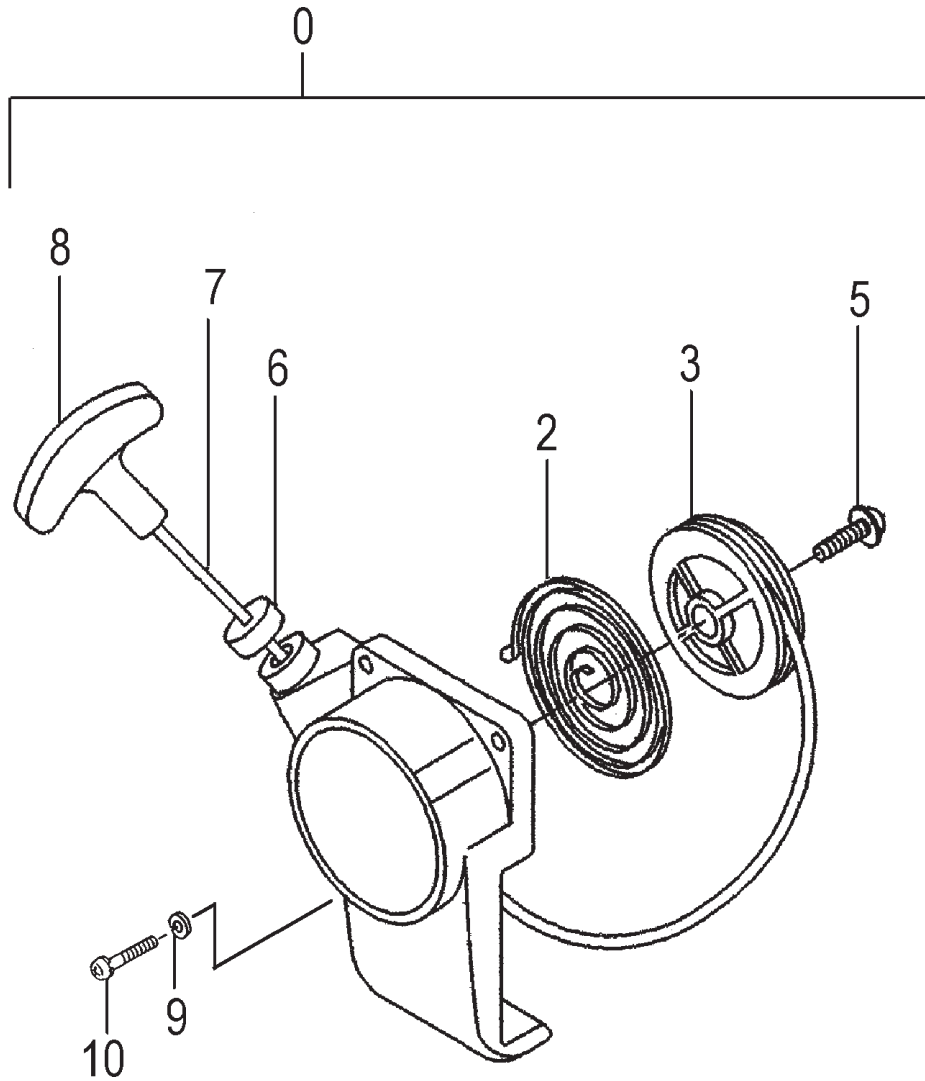
| ITEM | PART NUMBER | DESCRIPTION | QTY | COMMENTS |
|------|-------------|----------------------|-----|-------------------------------------|
| 2-22 | 7980706090 | PULLEY, STARTER | 1 | |
| 2-26 | 3800706080 | BOLT, M6 | 1 | |
| 2-31 | 0720706090 | CRANKCASE, ASS'Y | 1 | Includes bearings, seals and gasket |
| 2-32 | 99961600100 | BEARING, BALL, #6001 | 2 | |
| 2-33 | 99966122272 | SEAL, OIL 122245 | 2 | |
| 2-34 | 0900706020 | GASKET, CRANKCASE | 1 | |
| 2-36 | 99414050251 | SCREW, 5X25 | 3 | |
| 2-51 | 1550706080 | ROTOR, MAGNETO | 1 | |
| 2-52 | 1820706020 | WASHER, SPECIAL, M6 | 1 | |
| 2-54 | 99421060161 | BOLT, 6X16S | 1 | |



| ITEM | PART NUMBER | DESCRIPTION | QTY | COMMENTS |
|------|-------------|------------------------|-----|----------|
| 3-2 | 2030706020 | GROMMET | 1 | |
| 3-41 | 4030706020 | GASKET,INTAKE MANIFOLD | 2 | |
| 3-42 | 4040706090 | SET,INSULATOR | 1 | |
| 3-45 | 99416050251 | SCREW,5X25/S | 2 | |
| 3-46 | 4020706020 | GASKET,CARBURETOR | 1 | |
| 3-50 | 4550706090 | SET,CARBURETOR | 1 | |
| 3-55 | 1320706020 | SHIELD | 1 | |
| 3-71 | 5950300290 | CAP,TANK (BLACK/RED) | 1 | |
| 3-74 | 99011050651 | SCREW,5X65 | 2 | |
| 3-75 | 99210050012 | WASHER,S,5 | 2 | |
| 3-76 | 99201050011 | WASHER,5 | 2 | |
| 3-78 | 7000300507 | PIPE,FUEL,3X5X75 | 1 | |
| 3-79 | 53432710200 | GROMMET,FUEL PIPE | 1 | |
| 3-86 | 2230162V900 | PIPE,FUEL,ASS'Y | 1 | |
| 3-87 | 68000731201 | CLIP 6.3 | 1 | |
| 3-89 | 6750404280 | FILTER,FUEL | 1 | |
| 3-91 | 5910706080 | TANK,FUEL | 1 | |
| 3-96 | 65500940201 | CUSHION,FUEL TANK | 2 | |
| 3-97 | 6010706020 | CUSHION,TANK | 2 | |



| ITEM | PART NUMBER | DESCRIPTION | QTY | COMMENTS |
|------|-------------|----------------------|-----|----------|
| 4-6 | 7380706020 | COVER,MUFFLER | 1 | |
| 4-8 | 99073045104 | SCREW,TAPPING,4.5X10 | 3 | |
| 4-16 | 99460050454 | SCREW,5X45W | 2 | |
| 4-19 | 7040706090 | SET,MUFFLER | 1 | |
| 4-21 | 7320706020 | ARRESTOR,SPARK | 1 | |
| 4-26 | 1330706020 | SHIELD,HEAT | 1 | |
| 4-31 | 35902103200 | WASHER,CLUTCH,B | 2 | |
| 4-32 | 29001620800 | SHOE,CLUTCH | 2 | |
| 4-33 | 3420630B200 | SPRING,CLUTCH | 1 | |
| 4-34 | 3480602R200 | WASHER,CLUTCH A | 2 | |
| 4-35 | 3570075T200 | BOLT,STEP | 2 | |
| 4-36 | 99416050162 | SCREW,5X16/WS | 3 | |
| 4-38 | 99205080030 | WASHER,8 | 2 | |
| 4-40 | 17900025800 | CORD,STOP | 1 | |
| 4-42 | 99350012002 | RING,STOP,C-12 EX | 1 | |
| 4-43 | 1120706081 | CASE,FAN | 1 | |
| 4-47 | 5990098021 | CUSHION,RUBBER | 1 | |
| 4-52 | 3600099020 | HOLDER,PIPE | 1 | |
| 4-55 | 3610099020 | FITTING,METAL | 1 | |
| 4-56 | 99051050163 | BOLT,HEX,5X16 | 1 | |
| 4-57 | 99201050061 | WASHER,5 | 1 | |
| 4-58 | 2890706080 | SHAFT,CLUTCH | 1 | |
| 4-59 | 99461050254 | BOLT,HEX HOLE,5X25S | 1 | |
| 4-60 | 19805015800 | CLAMP,CORD | 1 | |
| 4-63 | 9410706020 | STAND | 1 | |
| 4-64 | 3243735020 | WASHER,GEAR CASE | 1 | |
| 4-65 | 99073045124 | SCREW,TAPPING,4.5X12 | 2 | |
| 4-98 | 99451050204 | SCREW,5X20S | 2 | |
| 4-99 | 99200050061 | WASHER,SMALL,5 | 2 | |

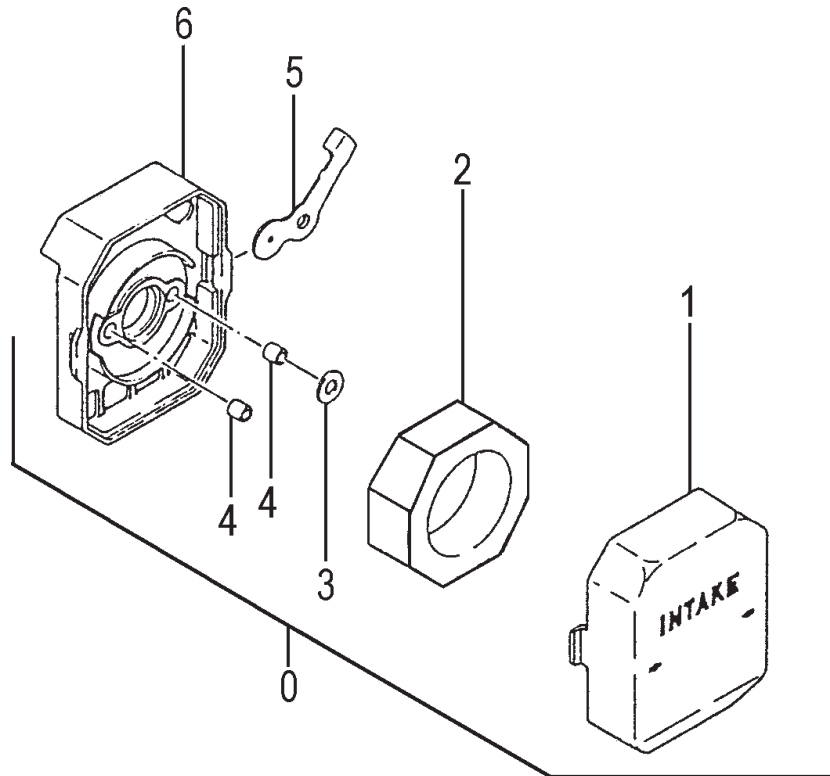


748733

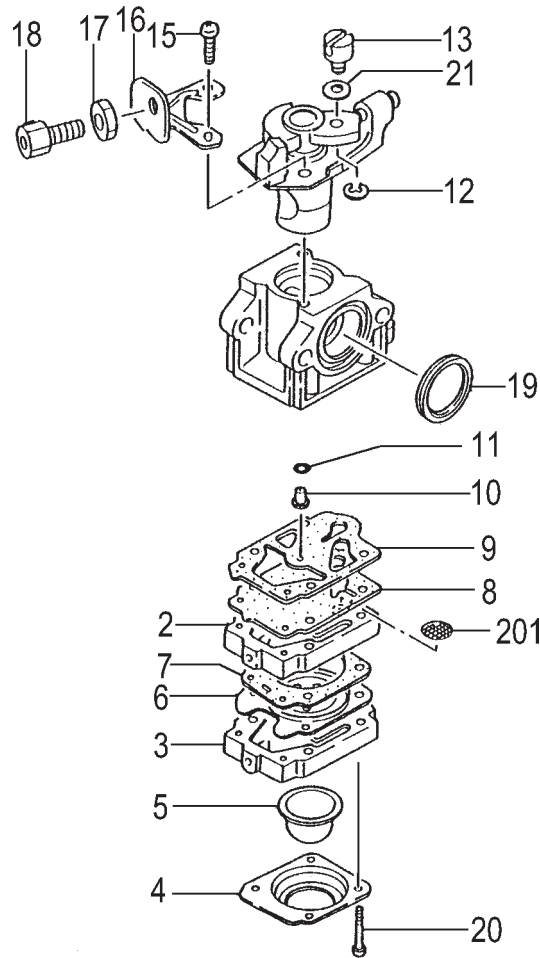


Consider ordering the 748733, S-Start Kit if you are replacing the starter assy. It decreases the pull-effort by 60%. They are dependable and easy to install.

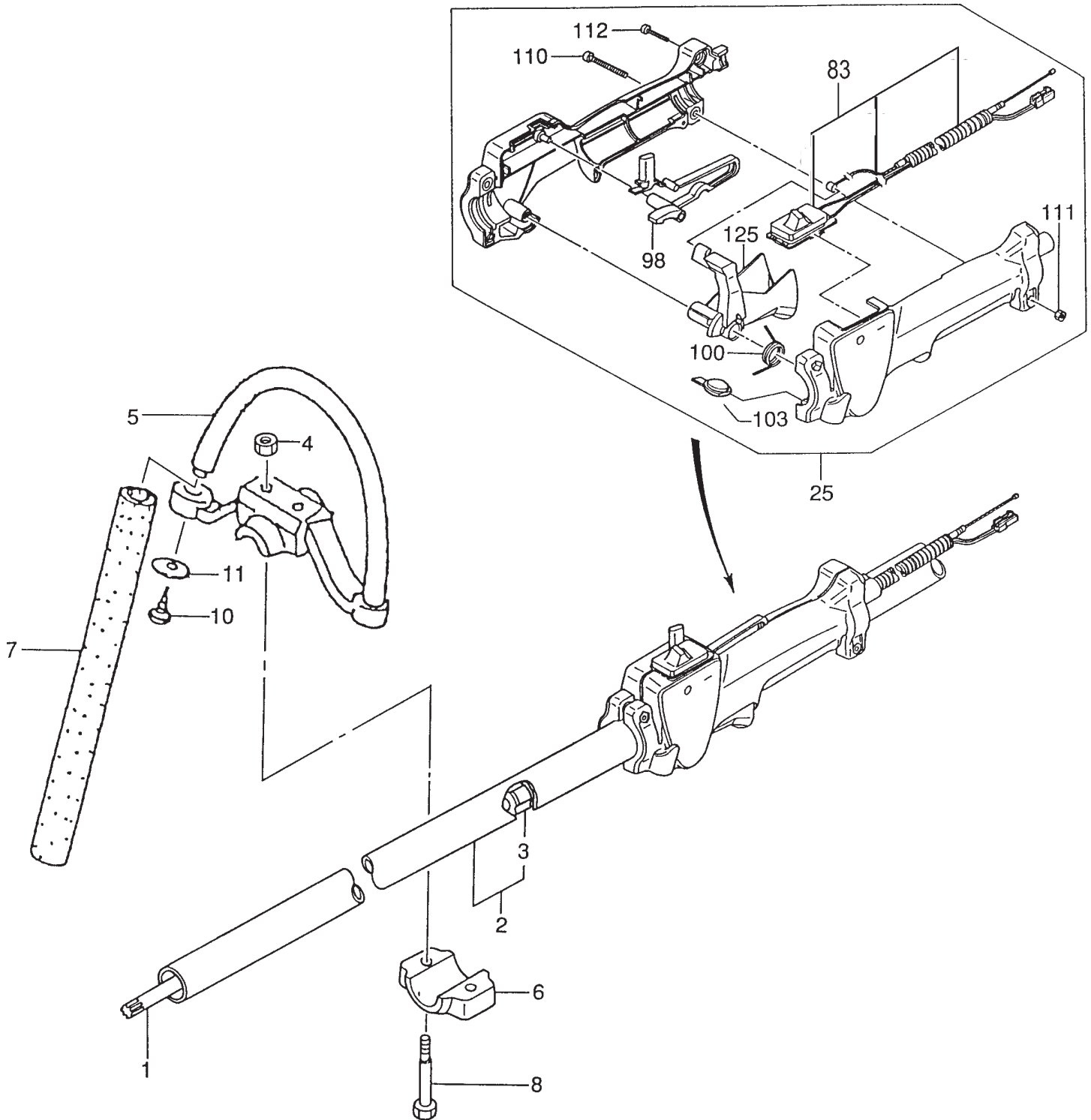
| ITEM | PART NUMBER | DESCRIPTION | QTY | COMMENTS |
|------|-------------|----------------------|-----|----------|
| 5-0 | 7620706090 | STARTER,RECOIL ASS'Y | 1 | |
| 5-2 | 7790706020 | SPRING,RECOIL | 1 | |
| 5-3 | 7740706020 | PULLEY,STARTER | 1 | |
| 5-5 | 8390706020 | BOLT,SET | 1 | |
| 5-6 | 7800706020 | GUIDE,ROPE | 1 | |
| 5-7 | 7830706020 | ROPE,STARTER | 1 | |
| 5-8 | 7850706020 | HANDLE,STARTER | 1 | |
| 5-9 | 99200050061 | WASHER,SMALL,5 | 2 | |
| 5-10 | 99461050204 | BOLT,HEX,HOLE,5X20,S | 2 | |



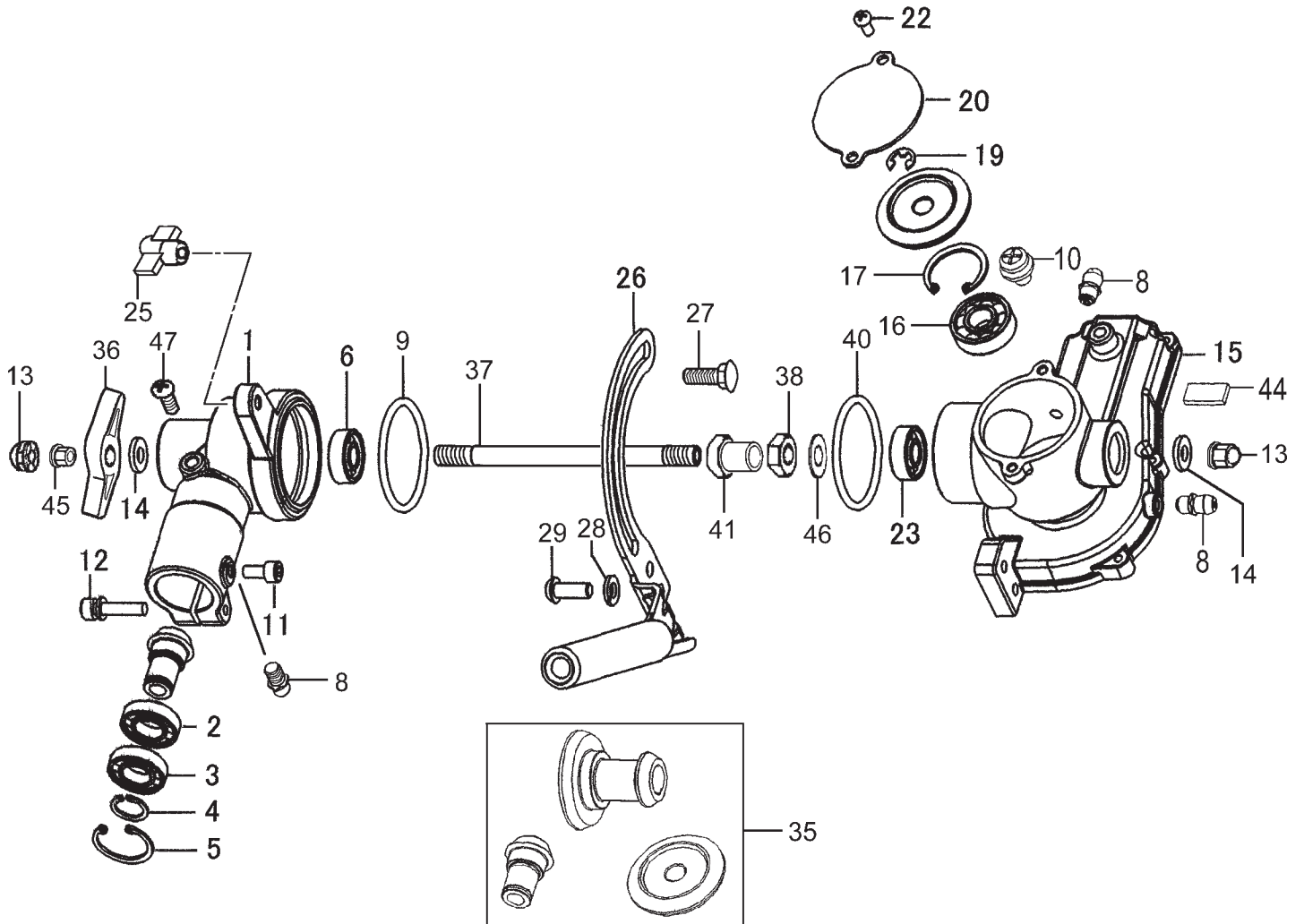
| ITEM | PART NUMBER | DESCRIPTION | QTY | COMMENTS |
|------|-------------|------------------|-----|----------|
| 6-0 | 4100650D90 | AIR CLEANER ASSY | 1 | |
| 6-1 | 4240602K201 | CAP, CLEANER | 1 | |
| 6-2 | 4460602K200 | ELEMENT, CLEANER | 1 | |
| 6-3 | 4530602K200 | COLLAR | 1 | |
| 6-4 | 47000025200 | COLLAR | 2 | |
| 6-5 | 5280635A200 | PLATE, CHOKE | 1 | |
| 6-6 | 4230072Z81 | BODY, CLEANER | 1 | |



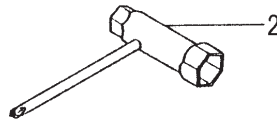
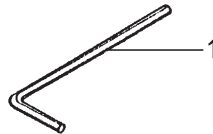
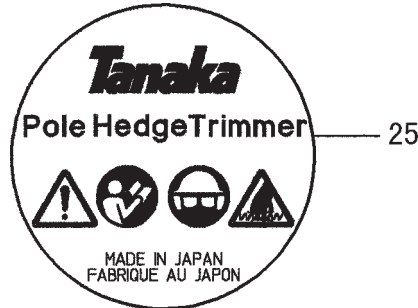
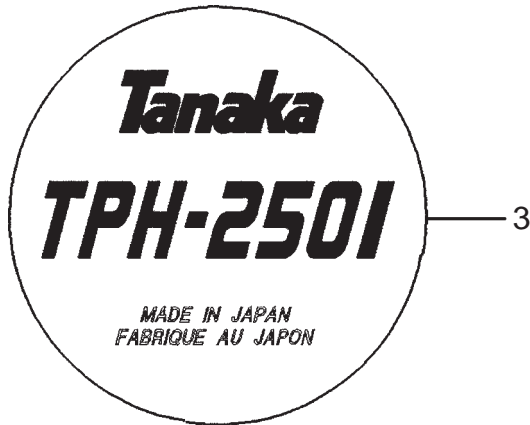
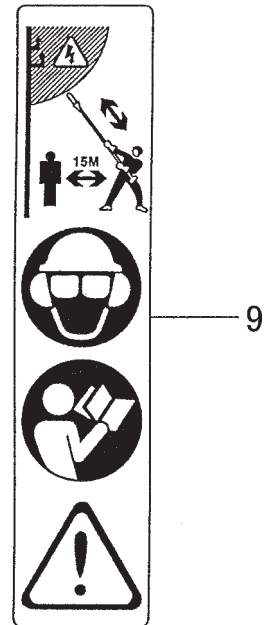
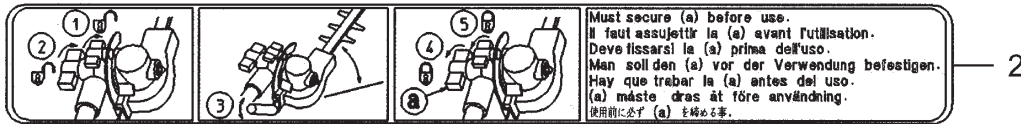
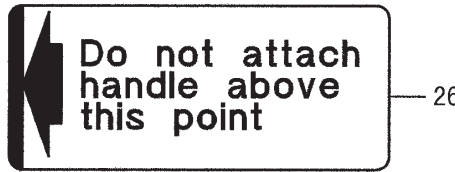
| ITEM | PART NUMBER | DESCRIPTION | QTY | COMMENTS |
|-------|-------------|--------------------|-----|---------------------------------------|
| | 4550706090 | SET,CARBURETOR | 1 | Includes carburetor gasket |
| 7-2 | 5752515380 | BODY,PUMP | 1 | |
| 7-3 | 4422515180 | PUMP,PRIMING | 1 | Carburetor Repair Kit - 650-25124-900 |
| 7-4 | 4762515120 | COVER,DIAPHRAGM | 1 | Gasket/Diaphragm Kit - 652-25124-900 |
| 7-5 | 44725108200 | BULB,PRIMING | 1 | |
| 7-6 | ~ ~ ~ | DIAPHRAGM | 1 | |
| 7-7 | ~ ~ ~ | GASKET,DIAPHRAGM | 1 | ~ Contained in Carb Kits |
| 7-8 | ~ ~ ~ | DIAPHRAGM,PUMP | 1 | |
| 7-9 | ~ ~ ~ | GASKET,PUMP | 1 | |
| 7-10 | 5992000W430 | JET,MAIN,#43 | 1 | |
| 7-11 | 55025100200 | O-RING | 1 | |
| 7-12 | 48925100200 | RING,STOP | 1 | |
| 7-13 | 53925120200 | SWIVEL | 1 | |
| 7-15 | 51425100200 | SCREW,THROTTLE SET | 2 | |
| 7-16 | 54425164200 | STAY,ADJUST,CABLE | 2 | |
| 7-17 | 99101060013 | NUT,6 | 1 | |
| 7-18 | 61425137200 | ADJUSTER,CABLE | 1 | |
| 7-19 | 4310634C200 | GASKET,CLEANER | 1 | |
| 7-20 | 5482515120 | SCREW,SET | 4 | |
| 7-21 | 5492516520 | WASHER,THRUST | 1 | |
| 7-201 | 57825007200 | SCREEN,INLET | 1 | |



| ITEM | PART NUMBER | DESCRIPTION | QTY | COMMENTS |
|-------|-------------|------------------------|-----|----------|
| 8-1 | 3433761820 | SHAFT,DRIVE 1483mm | 1 | |
| 8-2 | 3413762381 | PIPE,DRIVE SHAFT | 1 | |
| 8-3 | 34737601900 | BUSHING | 5 | |
| 8-4 | 99101060041 | NUT,6 | 2 | |
| 8-5 | 5003728620 | HANDLE | 1 | |
| 8-6 | 50637300200 | BRACKET,HANDLE,A | 1 | |
| 8-7 | 5033738E20 | GRIP,HANDLE | 1 | |
| 8-8 | 99023060351 | BOLT,6X35 PLUS | 2 | |
| 8-10 | 99311052012 | SCREW,TAPPING 5X20 | 1 | |
| 8-11 | 36832350200 | WASHER,BRAKE SHAFT | 1 | |
| 8-25 | 8703840290 | LEVER,THROTTLE ASS'Y | 1 | |
| 8-83 | 8853840080 | WIRE,THROTTLE W/SWITCH | 1 | |
| 8-98 | 2533840020 | LEVER,SAFETY | 1 | |
| 8-100 | 8323840020 | SPRING,RETURN | 1 | |
| 8-103 | 3223840020 | GROMMET | 1 | |
| 8-110 | 99431050203 | SCREW 5X20 | 2 | |
| 8-111 | 99101050043 | NUT,5 | 2 | |
| 8-112 | 9934604020 | SCREW, 4X20 | 4 | |
| 8-125 | 8803840020 | LEVER,THROTTLE | 1 | |



| ITEM | PART NUMBER | DESCRIPTION | QTY | COMMENTS |
|------|-------------|------------------------|-----|----------|
| 9-1 | 3003228021 | CASE, GEAR, A | 1 | |
| 9-2 | 99961690100 | BEARING, BALL, #6901 | 1 | |
| 9-3 | 99961690101 | BEARING, BALL, #6901ZZ | 1 | |
| 9-4 | 99352012002 | RING, STOP, S12, OUTER | 1 | |
| 9-5 | 99351024002 | RING, STOP, C-24, IN | 1 | |
| 9-6 | 99961608002 | BEARING, BALL, #608Z | 1 | |
| 9-8 | 30032250801 | FITTING, GREASE | 3 | |
| 9-9 | 99967041000 | O-RING, P-41 | 1 | |
| 9-10 | 99413060101 | SCREW, PLUS, 6x10P | 1 | |
| 9-11 | 99051050103 | BOLT, HEX. HOLE, 5X10 | 1 | |
| 9-12 | 99461050224 | BOLT, HEX HOLE 5x22/S | 1 | |
| 9-13 | 99144080022 | NUT, FLANGE 8 | 2 | |
| 9-14 | 0273180020 | WASHER | 2 | |
| 9-15 | 3013228025 | CASE, GEAR B | 1 | |
| 9-16 | 99961600004 | BEARING, BALL, #6000DD | 1 | |
| 9-17 | 99351026002 | RING, STOP, IN, C-26 | 1 | |
| 9-19 | 99355060000 | RING, STOP, E6 | 1 | |
| 9-20 | 3273228020 | COVER, GEAR CASE A | 1 | |
| 9-22 | 99011040081 | SCREW, 4X8 | 2 | |
| 9-23 | 99961608002 | BEARING, BALL, #608Z | 1 | |
| 9-25 | 5123228580 | KNOB, HANDLE | 1 | |
| 9-26 | 0333228081 | GUIDE, SLIDE | 1 | |
| 9-27 | 1963228520 | BOLT, SPECIAL | 1 | |
| 9-28 | 99210060062 | WASHER, S, 6 | 2 | |
| 9-29 | 99053060153 | BOLT, HEX, 6X15 | 2 | |
| 9-35 | 3023228200 | SET, GEAR, PINION | 1 | |
| 9-36 | 5123229820 | KNOB, HANDLE | 1 | |
| 9-37 | 3053228221 | SHAFT, GEAR | 1 | |
| 9-38 | 99101080011 | NUT, 8 | 1 | |
| 9-40 | 0713228221 | SHIM | 1 | |
| 9-40 | 0713228222 | SHIM | 1 | |
| 9-40 | 0713228223 | SHIM | 1 | |
| 9-41 | 0963228520 | COLLAR | 1 | |
| 9-44 | 0863228620 | SEAL, GREASE, B | 1 | |
| 9-45 | 12132530200 | NUT, CLAMP, BAR | 1 | |
| 9-46 | 99201100011 | WASHER, 10 | 1 | |
| 9-47 | 99431060081 | SCREW, 6X8 | 1 | |



| ITEM | PART NUMBER | DESCRIPTION | QTY | COMMENTS |
|-------|-------------|----------------------|-----|----------|
| 11-1 | 81320000200 | WRENCH,HEX,4 | 1 | |
| 11-2 | 03629331501 | SPANNER,COMBI | 1 | |
| 11-3 | 9060706220 | DECAL,MODEL TPH-2501 | 1 | |
| 11-4 | 9233370020 | DECAL,LEVEL | 1 | |
| 11-5 | 91505015200 | DECAL,SYMBOL | 1 | |
| 11-9 | 9073230420 | DECAL | 1 | |
| 11-10 | 9203228521 | DECAL,CAUTION B | 1 | |
| 11-25 | 9193229020 | DECAL,A | 1 | |
| 11-26 | 9233738F20 | DECAL,LEVEL | 1 | |

Date: January, 2002

Model & Serial: All THT, HTD, HTS, TPH hedgetrimmer models.

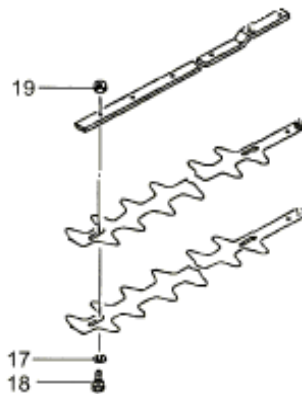
All units after serial number Y004401

Reason: All future production of hedgetrimmer models will utilize a blade-retaining nut that is of the locking variety. These nuts are oblong on one side to prevent loosening during use, but can be removed and re-installed without losing their locking ability.

When adjusting blade-fastening hardware, thread the bolt (18) through the blades and guide bar from the bottom, to a point where the flat washer (17), is still able to rotate, (usually to seat, and then backed off between ¼ and ½ revolution). Then install the lock nuts on the topside, tightening them while holding the bolt in place. Tighten all nuts, and then re-check for adjustment prior to operation. A lubricating agent, such as WD-40 should also be used to prevent sap build-up and premature wear.

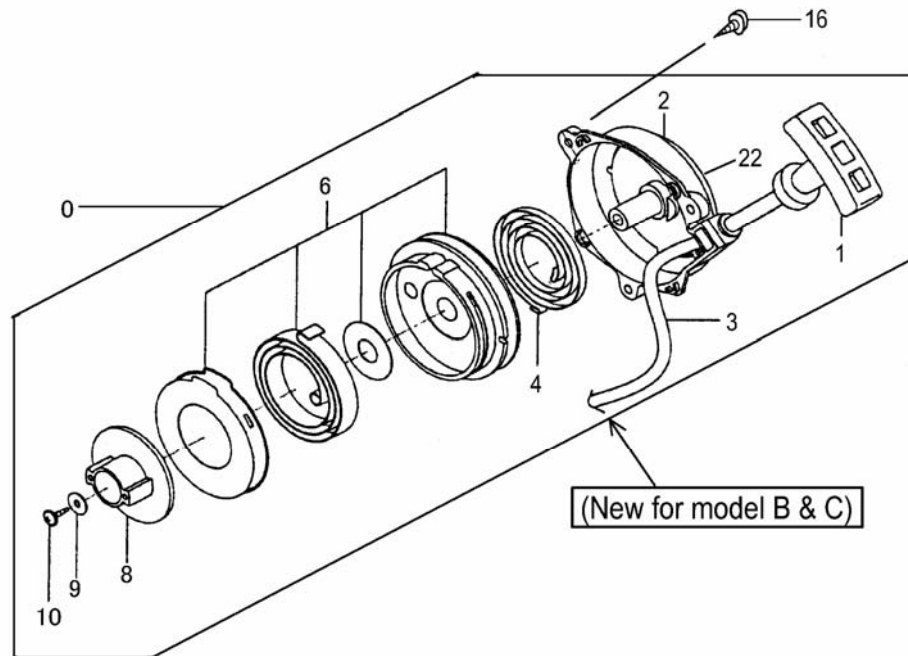
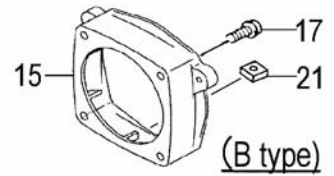
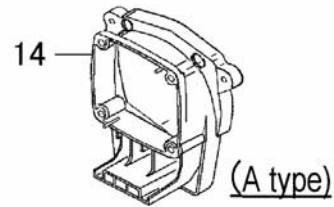
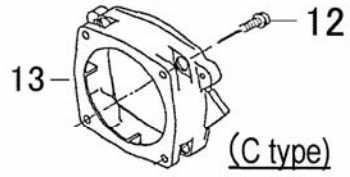
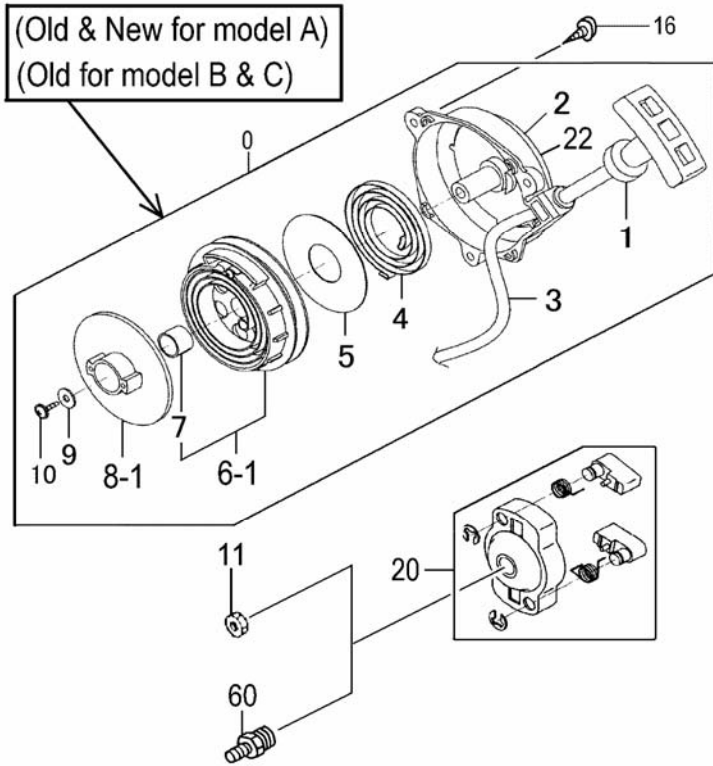
Part Number Changes:

| Old Part # | New Part # | Description | Remarks |
|---------------|--------------|-------------|---------------|
| 123-33202-200 | 123-3317A-20 | Lock Nut | Reference #19 |



S · START KIT

| | Order Number |
|---|--------------|
| A --- TBC2501/D, TPH2501, TPS-2501, TPE2501 | 748733 |
| B --- TBC230/230B/230D | 748744 |
| C --- TBC290/290D/340/340D | 748732 |



S-Start Parts Information

| REF. NUMBER | PART NUMBER | DESCRIPTION | Q'TY | | |
|----------------|----------------|---------------------------|------|---|---|
| | | | A | B | C |
| | 756-07075-00 | S·START KIT (TBC2501) | 1 | | |
| | 756-07120-00 | S·START KIT (TBC230) | | 1 | |
| | 756-07027-00 | S·START KIT (TBC290) | | | 1 |
| 000 | 762-07075-90 | RECOIL STARTER BODY ASS'Y | 1 | | |
| 000 | 762-07085-90 | RECOIL STARTER BODY ASS'Y | | 1 | |
| 000 | 762-07027-90 | RECOIL STARTER BODY ASS'Y | | | 1 |
| 001 | 785-07085-20 | STARTER HANDLE | 1 | 1 | 1 |
| 002 | 772-07085-80 | RECOIL STARTER BODY COMP, | 1 | 1 | 1 |
| 003 | 783-07085-20 | RECOIL ROPE | 1 | 1 | 1 |
| 004 | 780-07085-20 | RECOIL SPRING | 1 | 1 | 1 |
| 005 | 786-07085-20 | SPRING PLATE | 1 | 1 | 1 |
| 006,1 | 778-07027-90 | RECOIL SPRING CASE ASS'Y | 1 | | 1 |
| 006,1 | 778-07085-90 | RECOIL SPRING CASE ASS'Y | | 1 | |
| 006,1 | 778-07075-90 | RECOIL SPRING CASE ASS'Y | 1 | | |
| 006 | 778-07085-91 | SORING CASE ASS'Y | | 1 | 1 |
| 007 | 328-07085-20 | STARTER BUSH | 1 | 1 | 1 |
| 008,1 | 774-07075-20 | STARTER PULLEY | 1 | | |
| 008,1 | 774-07085-20 | STARTER PULLEY | | 1 | |
| 008,1 | 774-07027-20 | STARTER PULLEY | | | 1 |
| 008 | 774-07085-21 | STARTER PULLEY | | 1 | |
| 009 | 182-07085-20 | SPECIAL WASHER 5.2X15 | 1 | 1 | 1 |
| 010 | 990-72050-144 | TAPPING SCREW 5X14 | 1 | 1 | 1 |
| 011 | 991-01080-011 | HEX. NUT 8 | | | 1 |
| 012 | 994-64040-185 | HEX. HOLE BOLT 4X18WS | | | 4 |
| 013 | 806-07027-20 | STARTER BASE | | | 1 |
| 014 | 806-07070-20 | STARTER BASE | 1 | | |
| 015 | 806-07120-20 | STARTER BASE | | 1 | |
| 016 | 990-73045-144 | TAPPING SCREW 4.5X14 | 3 | 3 | 3 |
| 017 | 994-64040-125 | HEX. HOLE BOLT 4X12WS | | 4 | |
| 020 | 798-07085-90 | STARTER PULLEY ASS'Y | 1 | 1 | 1 |
| 021 | 991-91050-001 | SQUARE NUT 5 | | 1 | |
| 022 | 915-07078-20 | STARTER MARK (S·START) | 1 | 1 | 1 |
| 060 | 314-07070-20 | SPECIAL BOLT | 1 | | |