

Tanaka Illustrated Parts Manual

Model Number:

TPS-270PF/PN

26cc POLE SAW

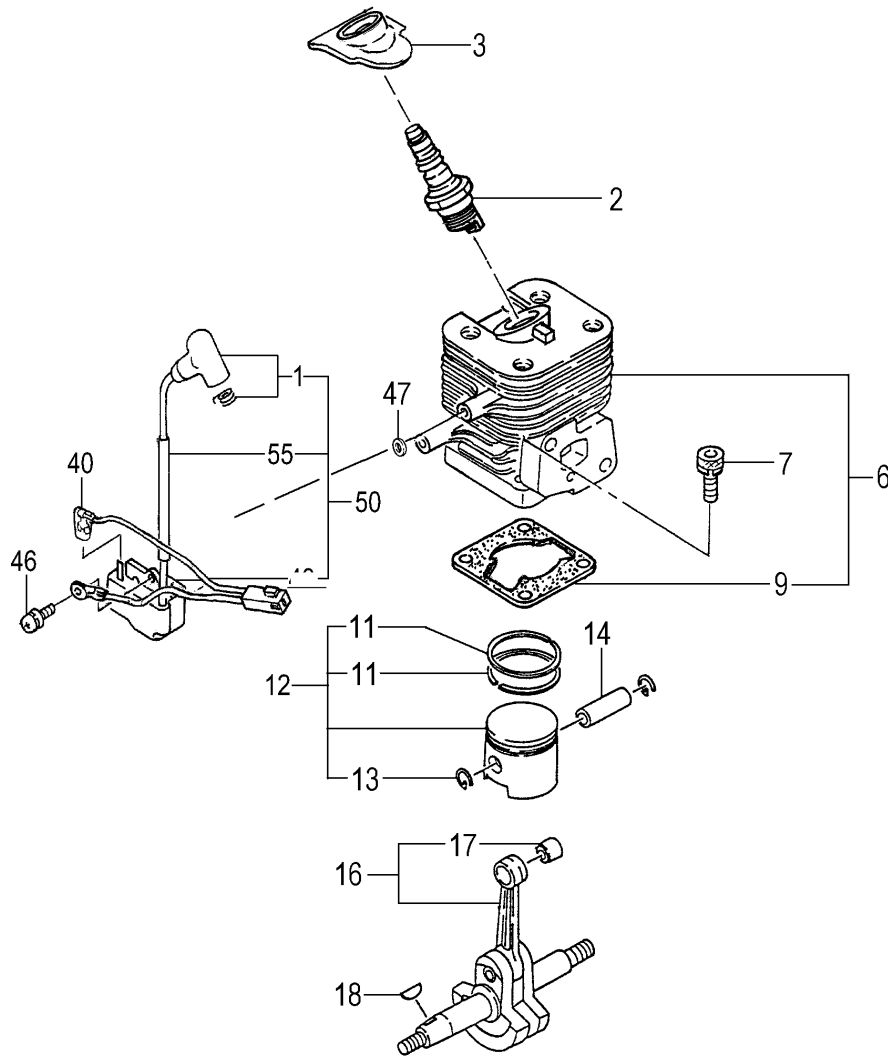
P/N 29252

Rev 001

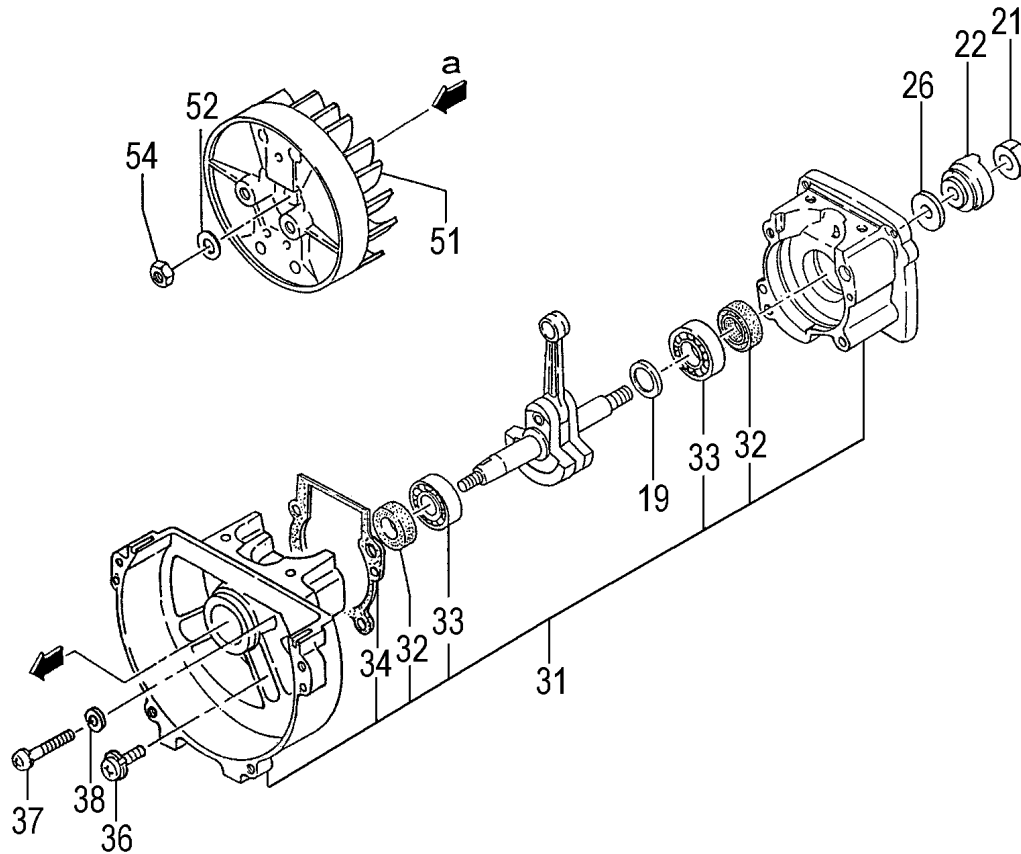
Date 3-10-08



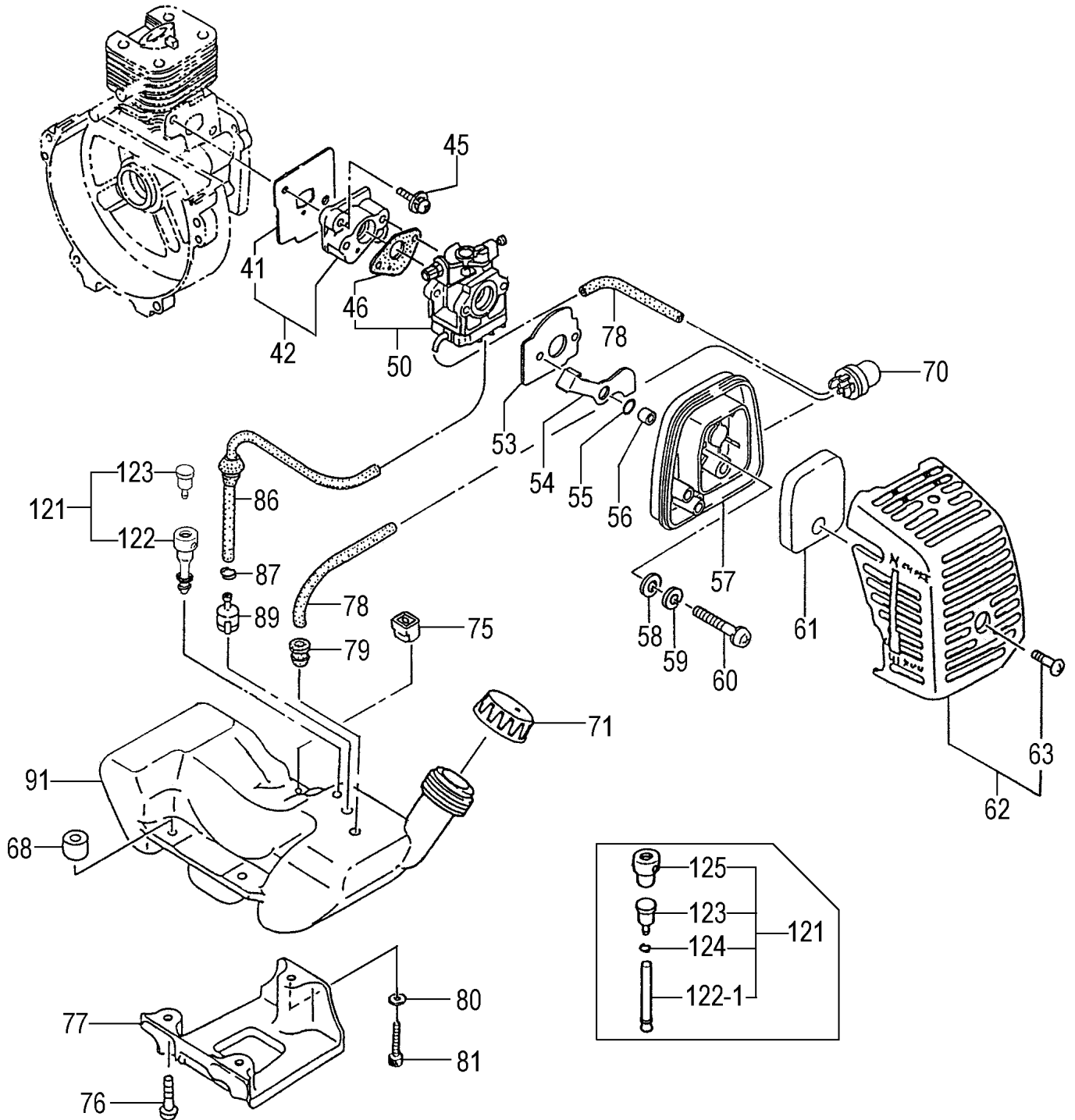
Nikko Tanaka Engineering U.S.A.,Ltd. • 1028 4th Street SW, Bldg B • Auburn, WA 98001 • Phone: (253) 333-1200 • Fax: (253) 333-1212



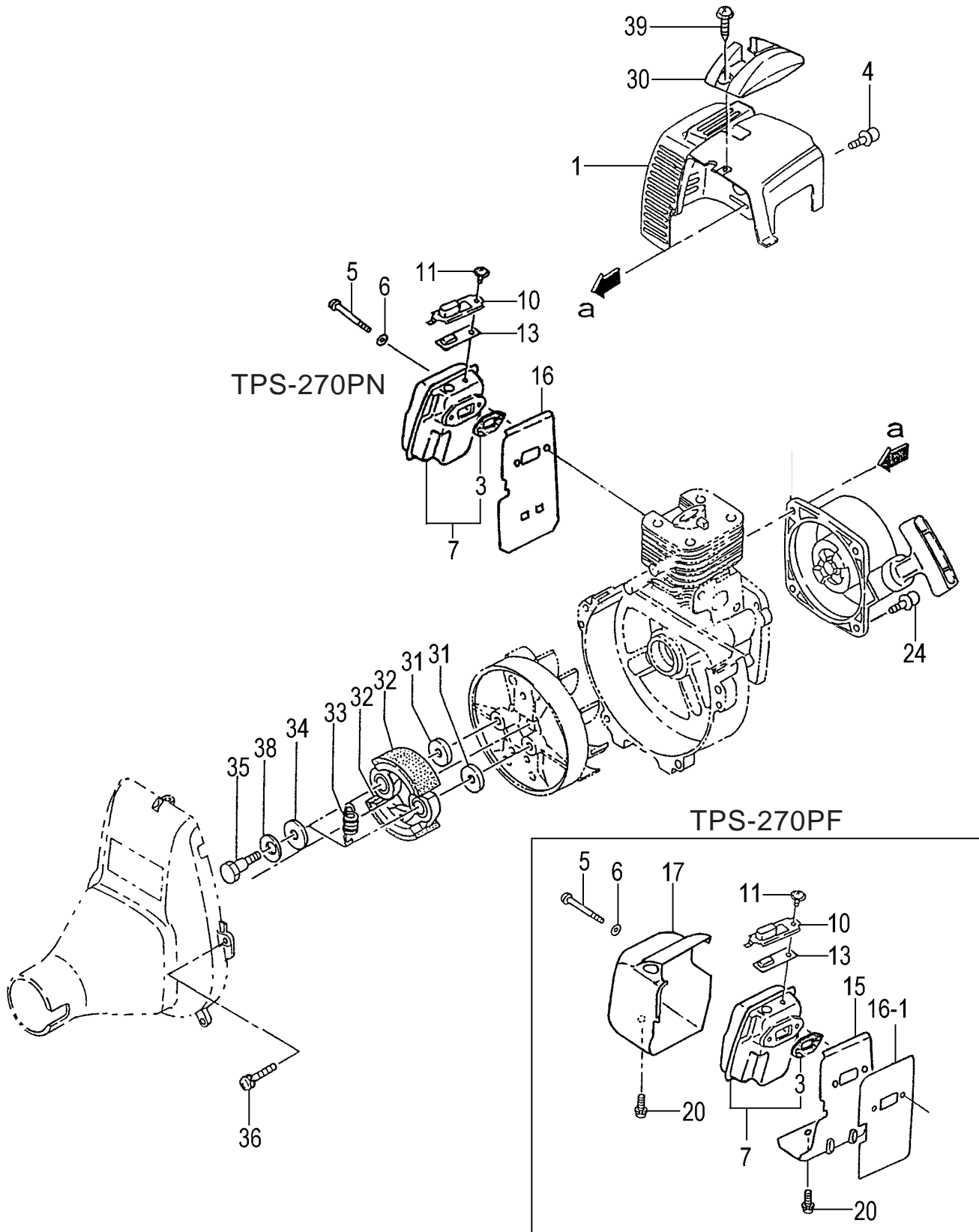
ITEM	PART NUMBER	DESCRIPTION	QTY	COMMENTS
1-1	1570168090	CAP, SPARK PLUG ASS'Y	1	
1-2	0181161021	PLUG, SPARK	1	
1-3	2550168020	COVER, SPARK PLUG, RUBBER	1	
1-6	0010168090	SET, CYLINDER	1	Includes cylinder gasket
1-7	99461050184	BOLT, HEX, 5X18, S	4	
1-9	0170168020	GASKET, CYLINDER	1	
1-11	04101601200	RING, PISTON	2	
1-12	0300168090	SET, PISTON	1	Includes rings (2) and circlips
1-13	03900000201	CIRCLIP, PISTON PIN	2	
1-14	03701700200	PIN, PISTON	1	
1-16	0460168080	CRANKSHAFT	1	
1-17	99962091325	BEARING, NEEDLE, F-910	1	
1-18	06810100200	KEY, WOODRUFF, 3X13X4.5	1	
1-40	1910168090	WIRE, LEAD ASS'Y	1	
1-46	99416040186	SCREW, WS, 4X18	2	
1-47	1820186A201	WASHER, SPECIAL	2	
1-50	1672174390	COIL, IGNITION ASS'Y	1	
1-55	2500168020	TUBE, INSULATOR	1	



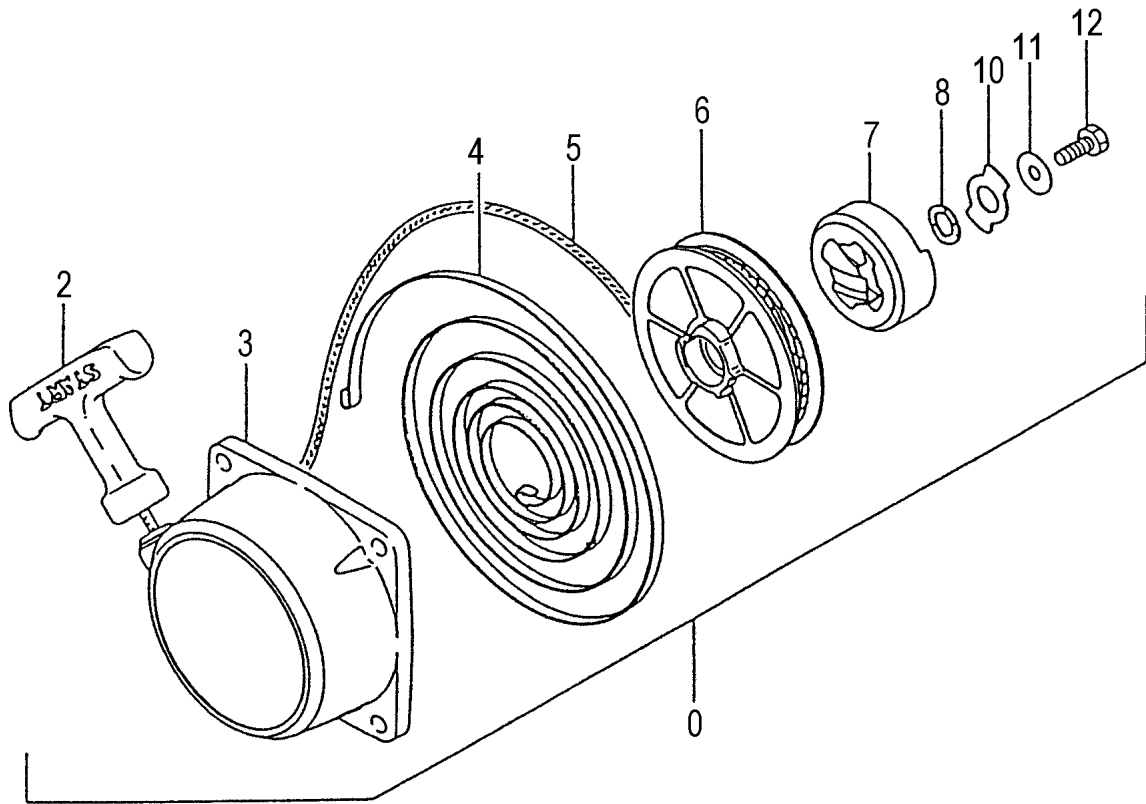
ITEM	PART NUMBER	DESCRIPTION	QTY	COMMENTS
2-19	33000200210	SHIM,12.2X19X.10	1	*Shims are "as needed" to obtain correct side clearance
2-19	33000200220	SHIM,12.2X19X.15	1	
2-19	33000200230	SHIM,12.2X19X.20	1	
2-19	33000200240	SHIM,12.2X19X.30	1	
2-21	99101080011	NUT,8	1	
2-22	79801630200	PULLEY,STARTER	1	
2-26	35910112203	WASHER,CLUTCH B	1	Crankcase assy includes bearings, seals and gasket.
2-31	0720168090	CRANKCASE,ASSY	1	
2-32	99966122240	SEAL,OIL,#12227	1	
2-33	99961600100	BEARING,BALL,#6001	2	
2-34	0900168020	GASKET,CRANKCASE	1	
2-36	99414050251	SCREW,5X25	2	
2-37	99011050381	SCREW,5X38	2	
2-38	99210050012	WASHER,S,5	2	
2-51	1552174380	ROTOR,MAGNETO	1	
2-52	99200080011	WASHER,8	1	
2-54	99101080011	NUT,8	1	



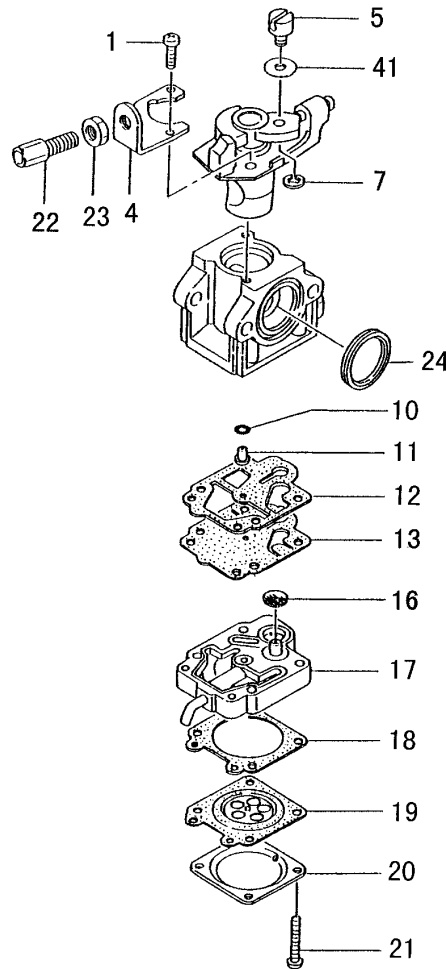
ITEM	PART NUMBER	DESCRIPTION	QTY	COMMENTS
3-41	4030097A21	GASKET,INLET MANIFOLD	1	
3-42	4040097A90	SET,CARB INSULATOR	1	
3-45	99416050241	SCREW 5x24WS	2	
3-46	4020602K21	GASKET,CARBURETOR	1	
3-50	4550168091	SET,CARBURETOR	1	
3-53	4360162V20	BASE,CLEANER	1	
3-54	5280168020	VALVE,CHOKE	1	
3-55	99967008012	O-RING,S-8	1	
3-56	4700602N200	COLLAR,CLEANER	1	
3-57	4230637C800	BODY,CLEANER	1	
3-58	99200050011	WASHER,SMALL,5	2	
3-59	99210050012	WASHER,S,5	2	
3-60	99011050602	SCREW,5X60	2	
3-61	4460637C200	ELEMENT,CLEANER	1	
3-62	4520168090	SET,CLEANER COVER	1	
3-63	3800637C200	BOLT,CLEANER COVER	1	
3-68	6590430020	COLLAR,C	3	
3-70	44225143800	PUMP,PRIMING ASS'Y	1	
3-71	5950168090	CAP,TANK ASS'Y	1	
3-75	6490168020	COLLAR,TANK FIXING	1	
3-76	99463050204	BOLT, HEX 5X20	2	
3-77	9400430020	STAND,ENGINE	1	
3-78	7000250408	PIPE,FUEL	2	
3-79	53432710200	GROMMET,FUEL PIPE	1	
3-80	99201050061	WASHER,5	1	
3-81	99461050304	BOLT,HEX,5X30S	1	
3-86	2230162V900	PIPE,FUEL,ASS'Y	1	
3-87	68000731201	CLIP 6.3	1	
3-89	6750404280	FILTER,FUEL	1	
3-91	5910168520	TANK	1	
3-121	5640661190	VENT,AIR ASS'Y	1	
3-122	5650503220	PIPE AIR VENT	1	~V103617
3-122	5650441020	PIPE,AIR VENT	1	V103618~
3-123	6460661290	VALVE	1	
3-124	68000731201	CLIP 6.3	1	~V103617
3-125	5610007020	COVER,AIR VENT	1	~V103617



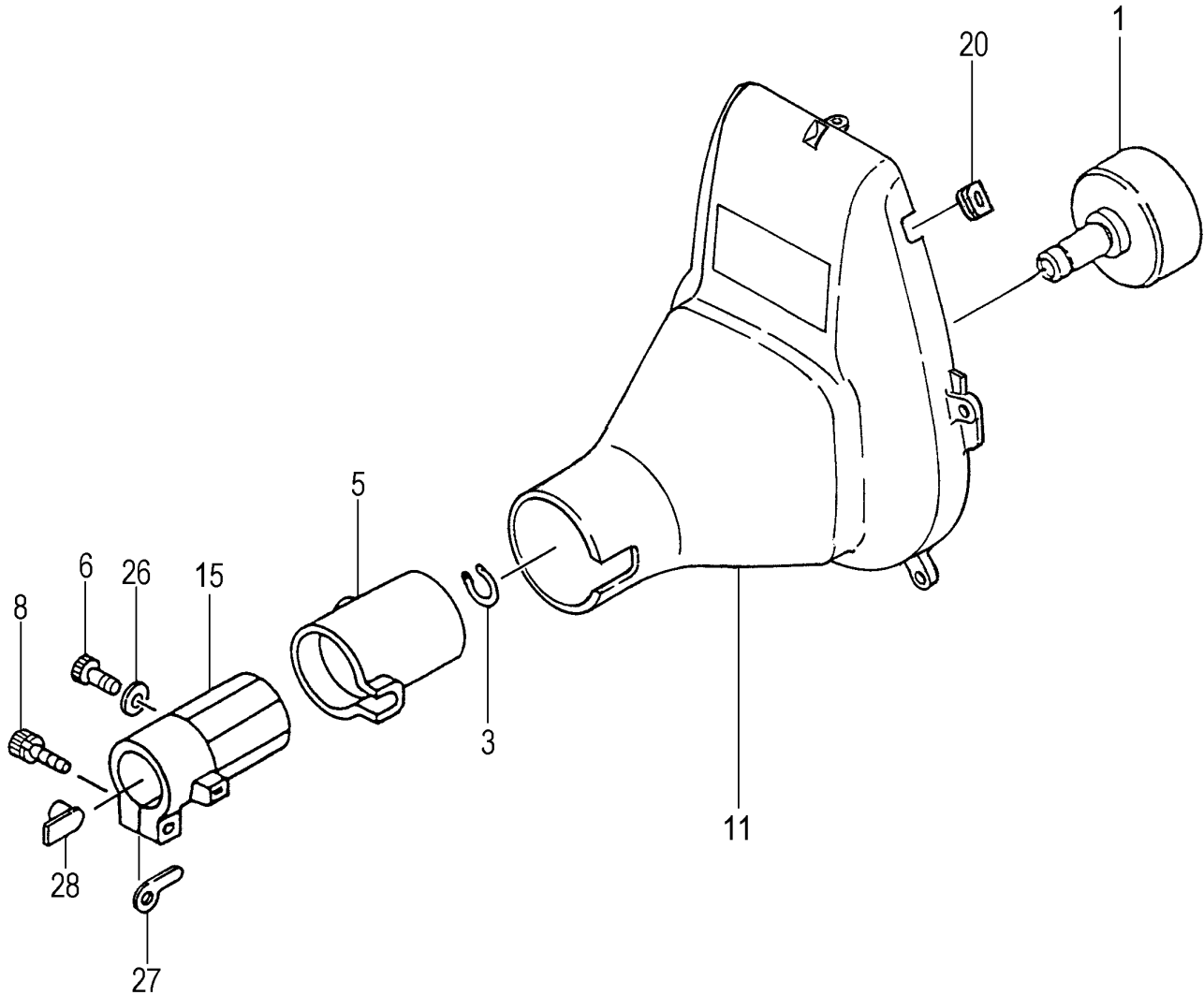
ITEM	PART NUMBER	DESCRIPTION	QTY	COMMENTS
4-1	7380168120	PROTECTOR,MUFFLER	1	
4-3	7370168020	GASKET,MUFFLER	1	TPE-270PF
4-3	7370165A201	GASKET,MUFFLER	1	TPE-270PN
4-4	99415040182	SCREW,PS,4X18	2	
4-5	99053060653	SCREW,HEX,6X65	2	
4-6	99201060011	WASHER,6	2	
4-7	7040168090	SET,MUFFLER	1	TPE-270PF
4-7	7040168790	SET,MUFFLER	1	TPE-270PN
4-10	7210440020	PIPE,TAIL	1	
4-11	99434040081	SCREW,4X8/S	1	
4-13	7320440020	ARRESTER,SPARK	1	
4-15	7360168022	COVER	1	TPE-270PF
4-16	1330168020	SHIELD,HEAT	1	TPE-270PF
4-16	1330168720	SHIELD,HEAT	1	TPE-270PN
4-17	7350168080	COVER,MUFFLER A	1	
4-20	99413050081	SCREW,5X8 P	2	TPE-270PF
4-20	99415050101	SCREW,5X10/PS	2	TPE-270PF
4-24	99415040142	SCREW,4X14/PS	2	
4-30	2570168120	COVER,SPARK PLUG	1	
4-31	35902103200	WASHER,CLUTCH,B	2	
4-32	29001620800	SHOE,CLUTCH	2	
4-33	3420630B200	SPRING,CLUTCH	1	
4-34	3480602R200	WASHER,CLUTCH A	2	
4-35	3570075T200	BOLT,STEP	2	
4-36	99416050162	SCREW,5X16/WS	4	
4-38	99205080030	WASHER,8	2	
4-39	99072045164	SCREW,TAPPING,4.5X16	1	



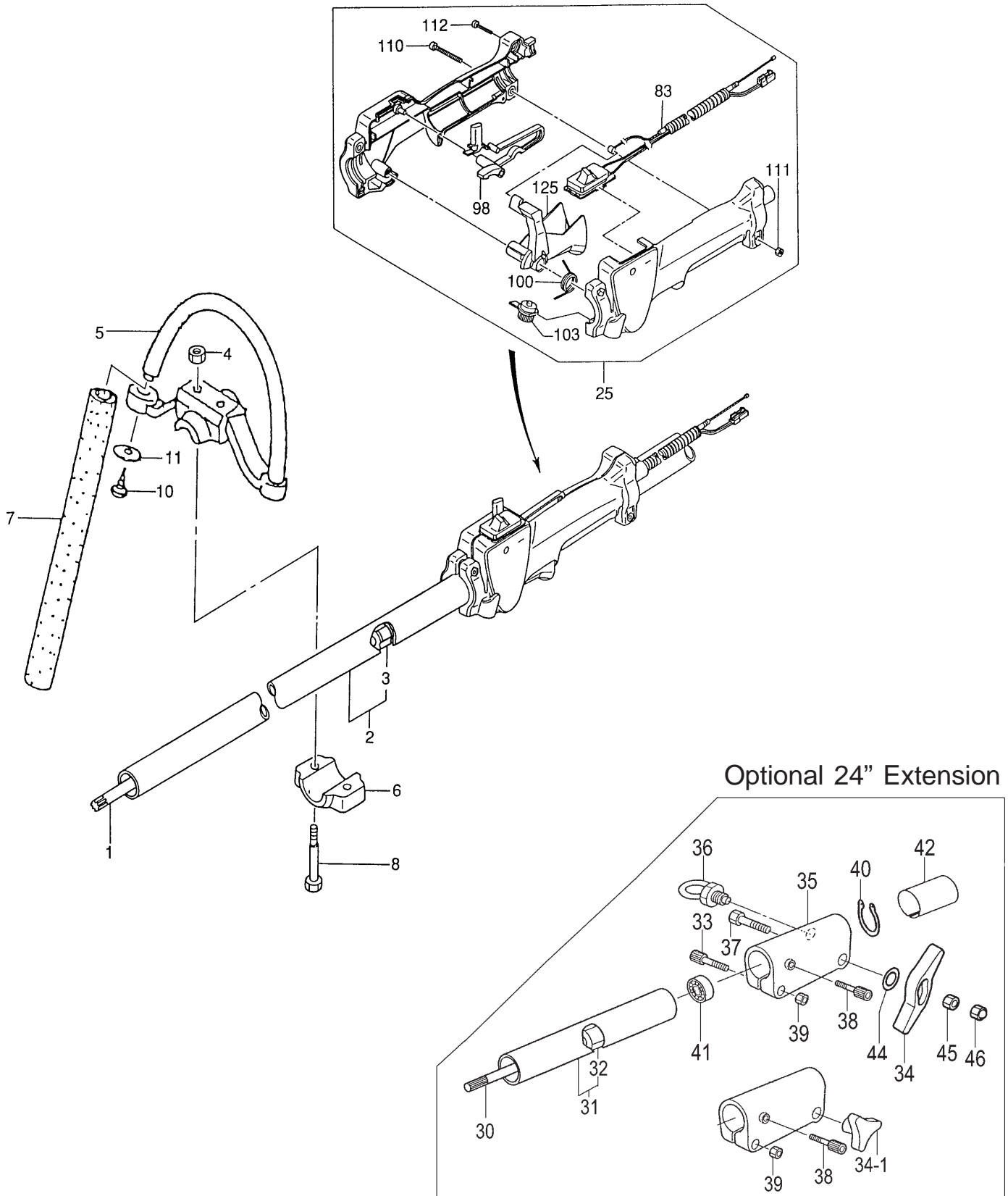
ITEM	PART NUMBER	DESCRIPTION	QTY	COMMENTS
5-0	7620094090	STARTER,RECOIL ASS'Y	1	
5-2	78500940200	HANDLE,STARTER	2	
5-3	77200940801	BODY,STARTER	1	
5-4	78000940200	SPRING,RECOIL	1	
5-5	78300940200	ROPE,STARTER	1	
5-6	77400940200	REEL,STARTER ROPE	1	Prior to S/N V218191
5-6	7740163021	REEL,STARTER ROPE	1	S/N V218191 and after
5-7	7880163021	PAWL,STARTER	1	
5-8	80105015200	WASHER,STARTER PULLEY	1	
5-10	8370501521	PLATE,FRICITION	1	
5-11	82205015200	SHIM,STARTER PULLEY	1	Prior to S/N V218191
5-11	8220423020	SHIM,STARTER PULLEY	1	S/N V218191 and after
5-12	8390423020	BOLT,SET	1	



ITEM	PART NUMBER	DESCRIPTION	QTY	COMMENTS
	4550168091	CARBURETOR SET	1	Includes gasket
6-1	51425100200	SCREW, THROTTLE SET	2	
6-4	54425164200	STAY, ADJUST, CABLE	1	Carburetor Repair Kit - 650-25124-900
6-5	53925120200	SWIVEL	1	
6-7	48925100200	RING, STOP	1	
6-10	55025100200	O-RING	1	
6-11	5992001W38	JET, MAIN LONG #38	1	
6-12	~ ~ ~	GASKET, PUMP	1	~ Contained in Carb Kits
6-13	~ ~ ~	DIAPHRAGM, PUMP	1	
6-16	57825007200	SCREEN, INLET	1	
6-17	5752514780	BODY, PUMP ASS'Y	1	
6-18	~ ~ ~	DIAPHRAGM	1	
6-19	~ ~ ~	DIAPHRAGM, METERING	1	
6-20	47625004200	COVER, DIAPHRAGM	1	
6-21	54825101200	SCREW, SET	4	
6-22	61425137200	ADJUSTER, CABLE	1	
6-23	99101060013	NUT, 6	1	
6-24	4310634C200	GASKET, CLEANER	1	
6-41	5492516520	WASHER, THRUST	1	



ITEM	PART NUMBER	DESCRIPTION	QTY	COMMENTS
7-1	2890098080	DRUM,CLUTCH	1	
7-3	99350012002	RING,STOP,C-12 EX	1	
7-5	5990098021	CUSHION,RUBBER	1	
7-6	99051050163	BOLT,HEX,5X16	1	
7-8	99461050254	BOLT,HEX HOLE,5X25S	1	
7-11	1120168080	CASE,FAN	1	
7-15	3600099020	HOLDER,PIPE	1	
7-20	20311660200	GROMMET,PRIMARY CORD	1	
7-26	99201050061	WASHER,5	1	
7-27	3243735020	WASHER,GEAR CASE	1	
7-28	3610099020	FITTING,METAL	1	

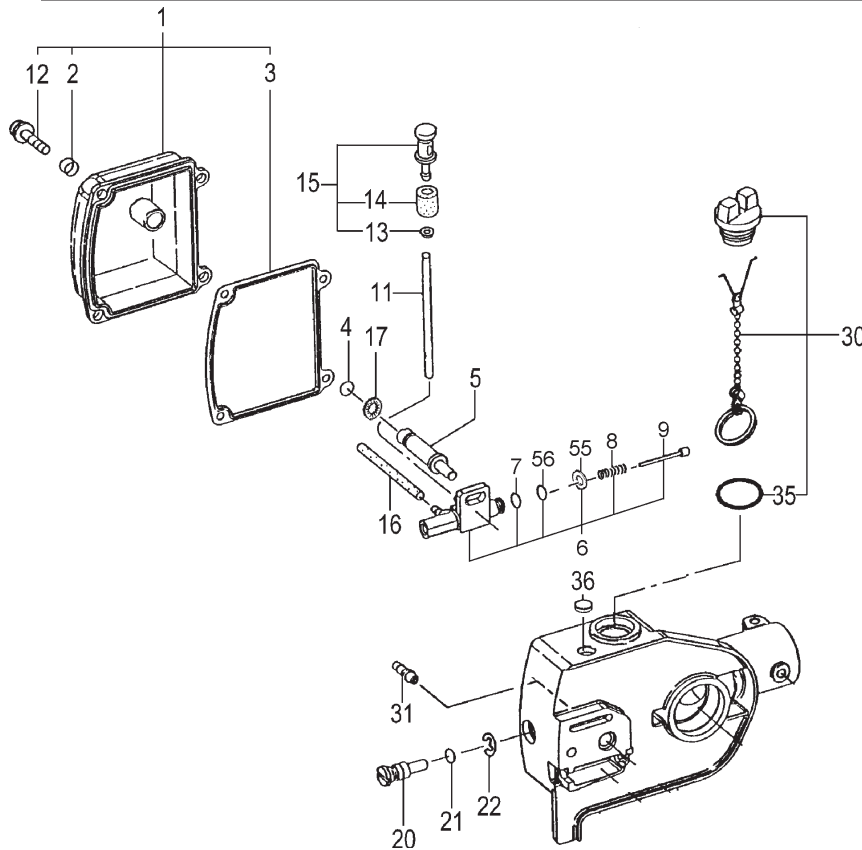


THROTTLE LEVER, HANDLE, DRIVE SHAFT • FIGURE 8

ITEM	PART NUMBER	DESCRIPTION	QTY	COMMENTS
8-1	3433230420	SHAFT,DRIVE	1	
8-2	3413230480	PIPE,DRIVE SHAFT	1	
8-3	34737601900	BUSHING,ASS'Y	6	
8-4	99101060041	NUT,6	2	
8-5	5003728620	HANDLE	1	
8-6	50637300200	BRACKET,HANDLE,A	1	
8-7	5033738E20	GRIP,HANDLE	1	
8-8	99023060351	BOLT,6X35 PLUS	2	
8-10	99311052012	SCREW,TAPPING 5X20	1	
8-11	36832350200	WASHER,BRAKE SHAFT	1	
8-25	8703840090	LEVER,THROTTLE ASSY	1	
8-83	8853840080	WIRE,THROTTLE W/SWITCH	1	
8-98	2533840020	LEVER,SAFETY	1	
8-100	8323840020	SPRING,RETURN	1	
8-103	8813840080	STOPPER,THROTTLE	1	
8-110	99431050203	SCREW 5X20	2	
8-111	99101050043	NUT,5	2	
8-112	9934604020	SCREW	4	
8-125	8803840020	LEVER,THROTTLE	1	

Optional 24" Extension

ITEM	PART NUMBER	DESCRIPTION	QTY	COMMENTS
	748511	24" EXTENSION	1	Optional
30	3433233180	SHAFT,DRIVE	1	
31	3413233180	PIPE,DRIVE SHAFT	1	
32	34737601900	BUSHING	1	
33	99461050254	BOLT,HEX HOLE,5X25S	1	
34-1	5123370081	KNOB,HANDLE	1	~V021700
34	5123338P20	KNOB,HANDLE	1	V021701~
35	2803233120	CASE,JOINT	1	
36	3523233180	PIN,LOCK	1	
37	99021060351	BOLT,6X35	1	~V021700
37	99021060504	BOLT,6X50	1	V021701~
38	99051050103	BOLT,HEX.HOLE,5X10	1	
39	99101050041	NUT,5	1	
40	99350010002	RING,STOP,C-10 EX	1	
41	99961690001	BEARING,BALL,#6900ZZ	1	
42	34833130200	COLLAR,B	1	
44	35902103200	WASHER,CLUTCH,B	1	V021701~
45	99101060011	NUT,6	1	V021701~
46	99142060012	NUT,CAP 6	1	V021701~

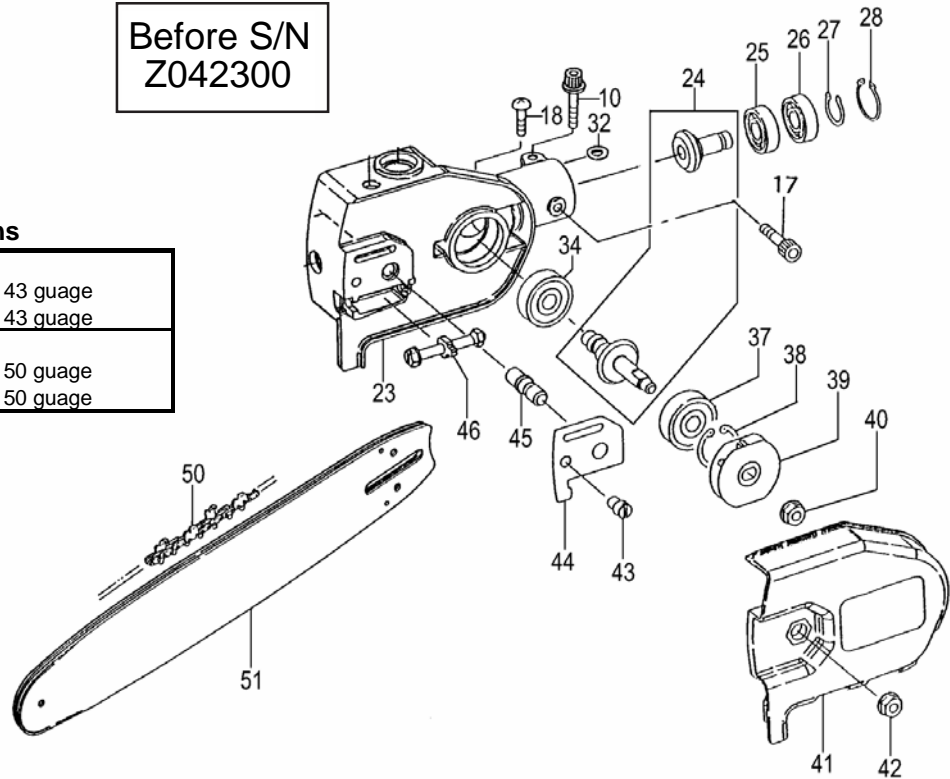


ITEM	PART NUMBER	DESCRIPTION	QTY	COMMENTS
9-1	0413230400	OIL TANK COVER SET	1	
9-2	0313230420	COLLAR 3	4	
9-3	4223230421	GASKET,OIL TANK	1	
9-4	99967005000	O-RING,P5	1	
9-5	3823230420	BOLT,STEP,A	1	
9-6	1443230490	OIL PUMP ASSY	1	
9-7	99967005000	O-RING,P5	1	
9-8	4493230420	SPRING,OIL PUMP	1	
9-9	0733230481	PISTON,OIL PUMP	1	
9-11	7005300506	PIPE,FUEL 3X5X60	1	
9-12	99416040121	SCREW,4X12	4	
9-13	99201050011	WASHER,5	1	
9-14	48732712201	FILTER,OIL	1	
9-15	4863234590	FILTER ASSY,FINE MESH	1	
9-16	7005300507	PIPE,FUEL 3X5X75	1	
9-17	9923008000	NUT,PUSH	1	Y161651~
9-20	5013230421	ADJUSTER,OIL PUMP	1	
9-21	99967005000	O-RING,P5	1	
9-22	99355060001	RING,STOP,6	1	
9-30	6243230492	CAP,OIL TANK	1	
9-31	0823230420	BANJO,OIL PUMP	1	
9-35	99967015000	O-RING,P15	1	
9-36	5660406320	COVER,AIR VENT	1	~U231876
9-55	99201020011	WASHER,2	1	V196951~
9-56	99967001413	O-RING	1	V196951~

Before S/N
Z042300

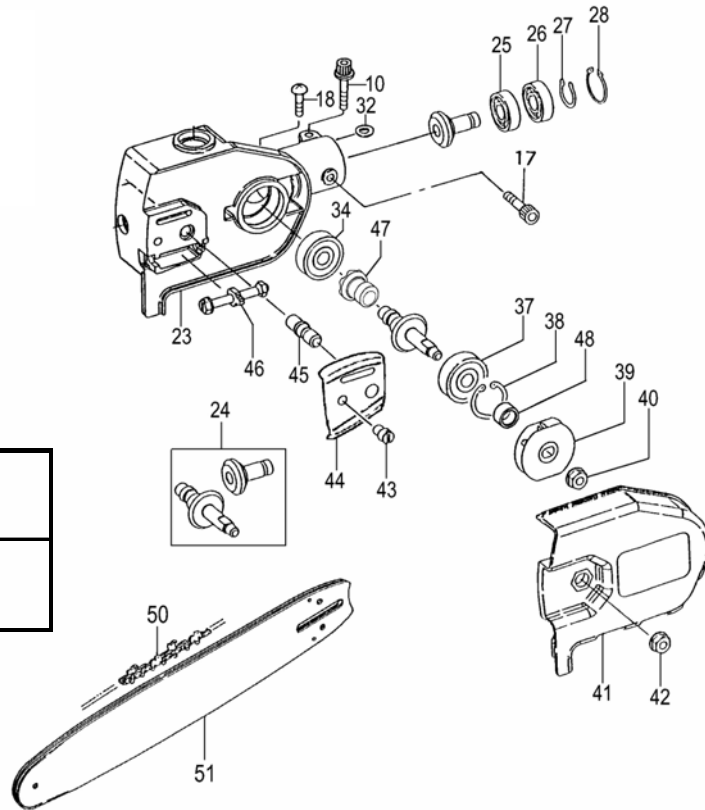
Bar & Chain Options

N/A	10" Bar & Chain Kit	
110.32304.20	10" Bar	43 guage
127.32304.20	10" Chain	43 guage
Part No 844001	12" Bar & Chain Kit	
120SDEA041	12" Bar	50 guage
91VG045X	12" Chain	50 guage



ITEM	PART NUMBER	DESCRIPTION	QTY	COMMENTS
10-10	99461050224	BOLT,HEX HOLE 5x22/S	1	
10-17	99051050103	BOLT,HEX.HOLE,5X10	1	
10-18	99011060061	SCREW,6X6	1	~V095519
10-18	99431060081	SCREW,6X8	1	V095520~
10-23	0193230420	CASE,GEAR	1	~U231876
10-23	0193230422	CASE,GEAR	1	U231877~
10-24	3013230400	SET,GEAR,PINION	1	
10-25	99961609000	BEARING,BALL,#609	1	
10-26	99961609002	BEARING,BALL,#609Z	1	
10-27	99350009002	RING,STOP,C9	1	
10-28	99351024002	RING,STOP,C-24,IN	1	
10-32	78600601200	WASHER,RECOIL STARTER	1	
10-34	99961608000	BEARING,BALL,#608	1	
10-37	99961638002	BEARING,BALL 638Z	1	
10-38	99351028002	RING,STOP,IN,C-28	1	
10-39	3193230480	SPROCKET,3/8	1	
10-40	99182060001	NUT,FLANGE,6	1	
10-41	0393230480	COVER,SIDE	1	
10-42	12132600200	NUT,CLAMP,BAR	1	
10-43	1223230420	PIN,KNOCK,GUIDE BAR	1	
10-44	4613230420	PLATE,GUIDE	1	
10-45	1013230420	BOLT,GUIDE BAR	1	
10-46	1163230490	TENSIONER,CHAIN	1	
10-50	1273230420	CHAIN,10"	1	
10-51	1103230420	BAR,10"	1	

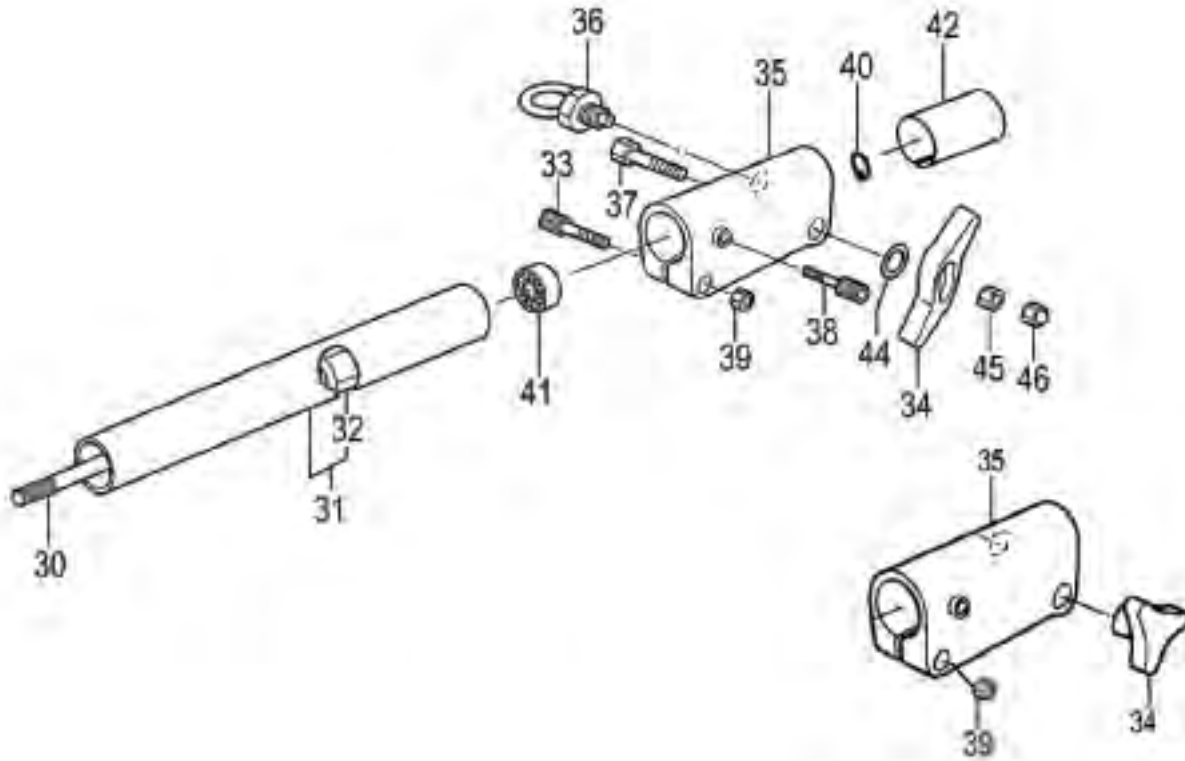
After Serial Number
Z042301



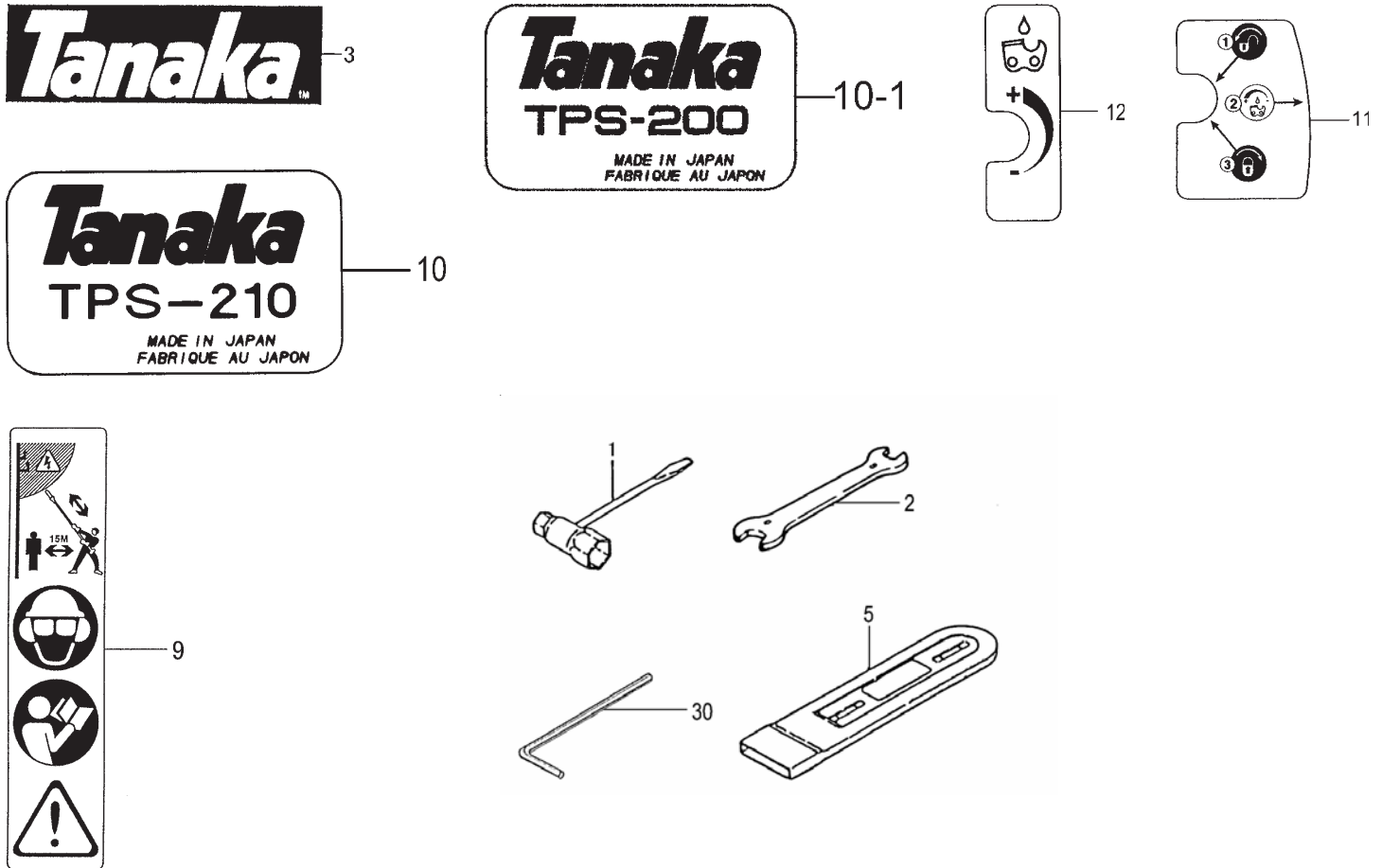
Bar & Chain Options

N/A	10" Bar & Chain Kit	
110.32304.20	10" Bar	43 guage
127.32304.20	10" Chain	43 guage
Part No 844001	12" Bar & Chain Kit	
120SDEA041	12" Bar	50 guage
91VG045X	12" Chain	50 guage

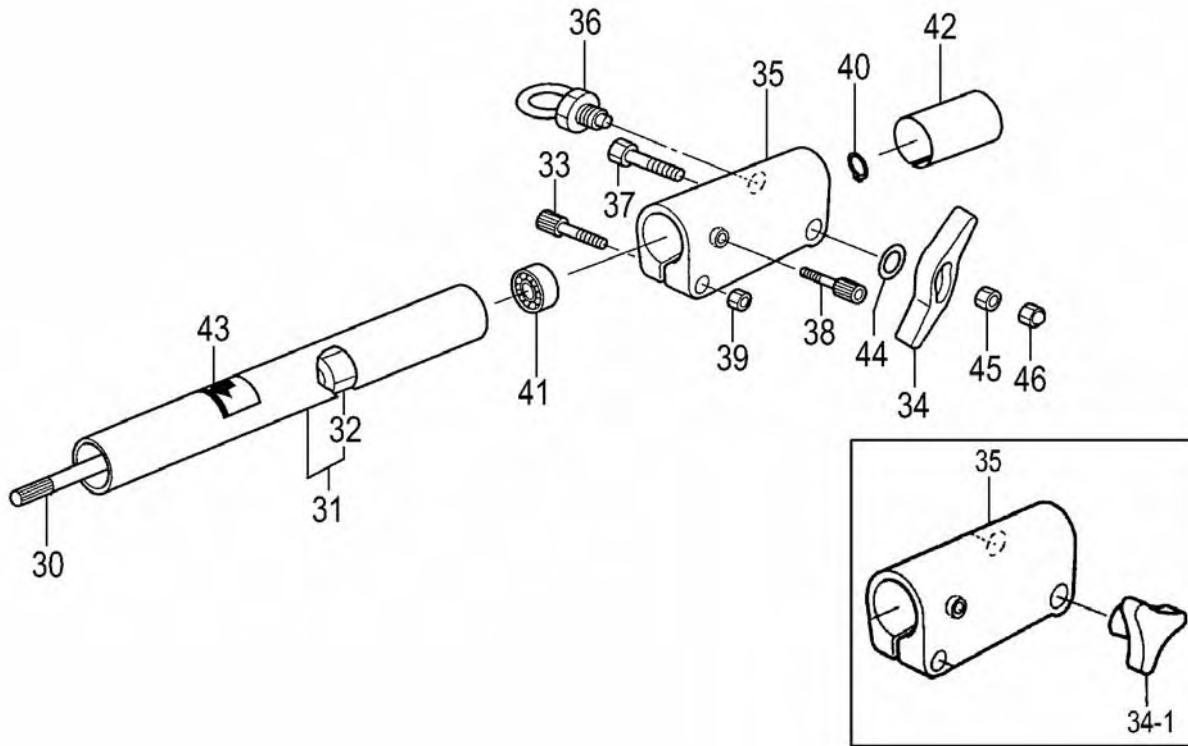
ITEM	PART NUMBER	DESCRIPTION	QTY	COMMENTS
11-10	99461050224	BOLT,HEX HOLE 5x22/S	1	
11-17	99051050103	BOLT,HEX.HOLE,5X10	1	
11-18	99431060081	SCREW,6X8	1	
11-23	0193230422	CASE,GEAR	1	
11-24	3013234400	GEAR & PINION SET	1	
11-25	99961609000	BEARING,BALL,#609	1	
11-26	99961609002	BEARING,BALL,#609Z	1	
11-27	99350009002	RING,STOP,C9	1	
11-28	99351024002	RING,STOP,C-24,IN	1	
11-32	78600601200	WASHER,RECOIL STARTER	1	
11-34	99961627000	BEARING,BALL	1	
11-37	99961638002	BEARING,BALL 638Z	1	
11-38	99351028002	RING,STOP,IN,C-28	1	
11-39	3193230480	SPROCKET,3/8	1	
11-40	99182060001	NUT,FLANGE,6	1	
11-41	0393230480	COVER,SIDE	1	
11-42	12132600200	NUT,CLAMP,BAR	1	
11-43	1223234421	KNOCK PIN	1	
11-44	4613234420	PLATE,GUIDE	1	
11-45	1013234421	BOLT,CHAIN TIGHTENING	1	
11-46	1163230490	TENSIONER,CHAIN	1	
11-47	4523234420	CAM	1	
11-48	0313234420	COLLAR	1	
11-50	1273230420	CHAIN,10"	1	
11-51	1103230420	BAR,10"	1	



ITEM	PART NUMBER	DESCRIPTION	QTY	COMMENTS
12-30	3433233180	SHAFT,DRIVE	1	
12-31	3413233180	PIPE,DRIVE SHAFT	1	
12-32	34737601900	BUSHING	1	
12-33	99461050254	BOLT,HEX HOLE,5X25S	1	
12-34	5123370081	KNOB,HANDLE	1	Before S/N V021700
12-34	5123338P20	KNOB,HANDLE	1	S/N V021701 and after
12-35	2803233120	CASE,JOINT	1	
12-36	3523233180	PIN,LOCK	1	
12-37	99021060351	BOLT,6X35	1	Before S/N V021700
12-37	99021060501	BOLT,6X50	1	S/N V021701 and after
12-38	99051050103	BOLT,HEX.HOLE,5X10	1	
12-39	99101050041	NUT,5	1	
12-40	99350010002	RING,STOP,C-10 EX	1	
12-41	99961690001	BEARING,BALL,#6900ZZ	1	
12-42	34833130200	COLLAR,B	1	
12-44	35902103200	WASHER,CLUTCH,B	1	S/N V021701 and after
12-45	99101060011	NUT,6	1	S/N V021701 and after
12-46	99143060023	NUT,6	1	S/N V021701 and after



ITEM	PART NUMBER	DESCRIPTION	QTY	COMMENTS
13-1	88332600200	SPANNER,COMBO	1	
13-2	80120000200	SPANNER,8X10	1	V095520~
13-3	91505015200	DECAL,SYMBOL	1	
13-5	9413233320	COVER,BAR,10",BLACK	1	
13-9	9073230420	DECAL	1	
13-10	9293249820	DECAL,TPS-210	1	Z042301~
13-10-1	9293233120	DECAL,SYMBOL,TPS-200	1	~Z042300
13-11	9223234520	DECAL,OIL ADJUSTMENT	1	
13-12	9213234520	DECAL,OIL	1	
13-30	81320000200	WRENCH,HEX,4	1	



ITEM	PART NUMBER	DESCRIPTION	24"	36"	COMMENTS
14-30	3433233180	SHAFT,DRIVE	1		
14-30	3433003980	SHAFT,DRIVE		1	
14-31	3413230881	PIPE,DRIVE SHAFT	1		~9085369
14-31	3413230882	PIPE,DRIVE SHAFT	1		9085370~
14-31	3413003980	PIPE,DRIVE SHAFT		1	
14-32	3473730090	BUSHING ASSY	1		
14-32	3473730090	BUSHING ASSY		2	
14-33	99461050254	BOLT,HEX HOLE,5X25S	1	1	
14-34-1	5123370081	KNOB,HANDLE	1		~5004220
14-34	5123338P20	KNOB,HANDLE	1	1	5004221~
14-35	2803233122	COUPLING,TPS	1	1	
14-36	3523233180	PIN,LOCK	1	1	
14-37	99021060351	BOLT,6X35	1		~5004220
14-37	99021060504	BOLT,6X50	1	1	5004221~
14-38	99051050103	BOLT,HEX.HOLE,5X10	1	1	
14-39	99101050041	NUT,5	1	1	
14-40	99350010002	RING,STOP,C-10 EX	1	1	
14-41	99961690001	BEARING,BALL,#6900ZZ	1	1	
14-42	3483313020	COLLAR,B	1	1	
14-43	92337400200	DECAL,LEVEL	1	1	
14-44	3590210320	WASHER,CLUTCH,B	1	1	
14-45	99101060011	NUT,6	1	1	5004221~
14-46	99142060012	NUT,CAP 6	1	1	5004221~