

Tanaka Illustrated Parts Manual

Model Number:

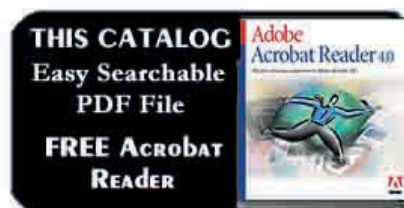
TBL-4610

LOW EMISSION BACKPACK BLOWER

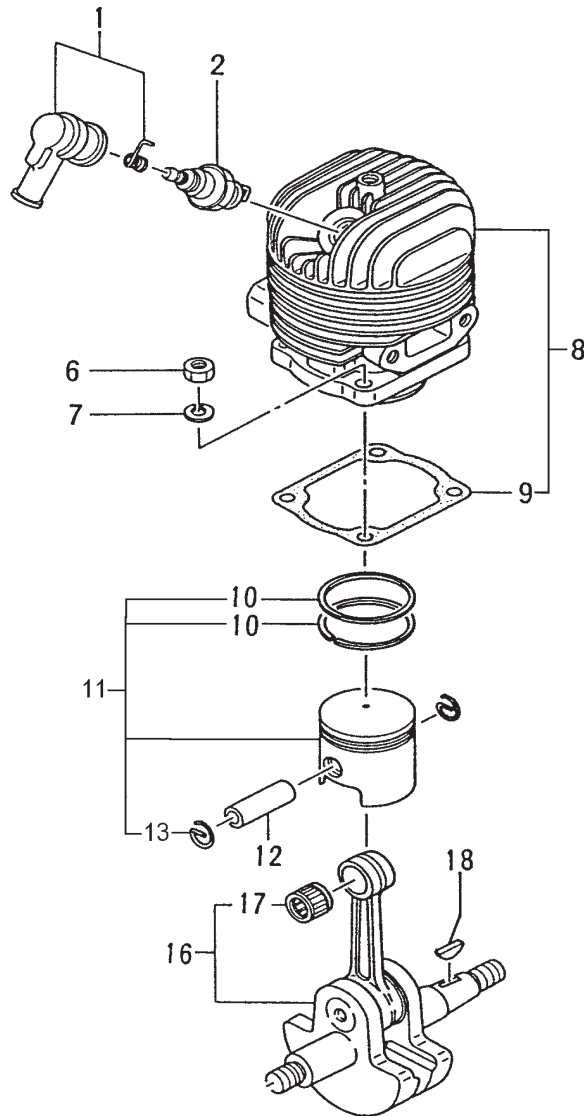
P/N 30471

Rev 000

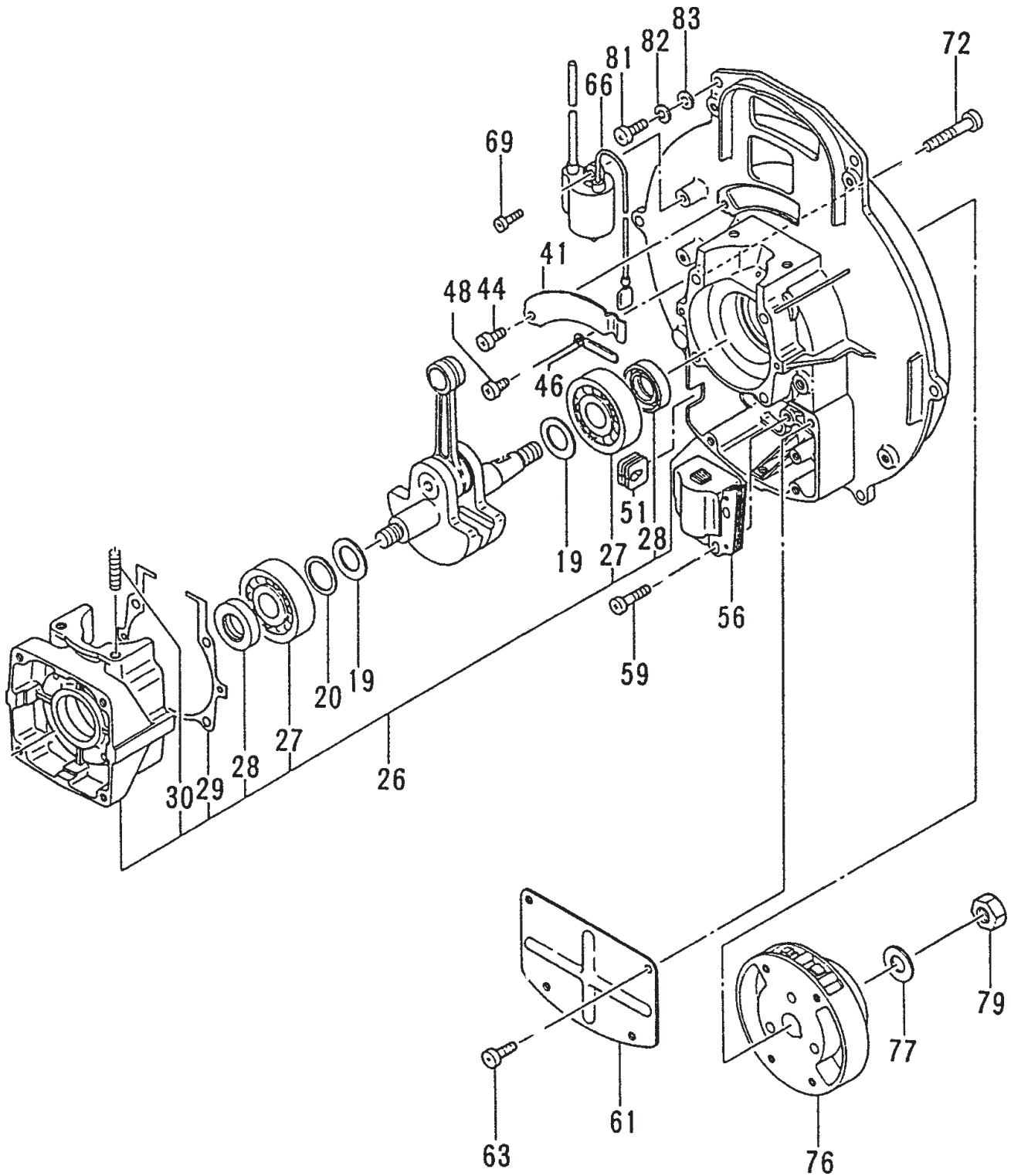
Date 9-2-09



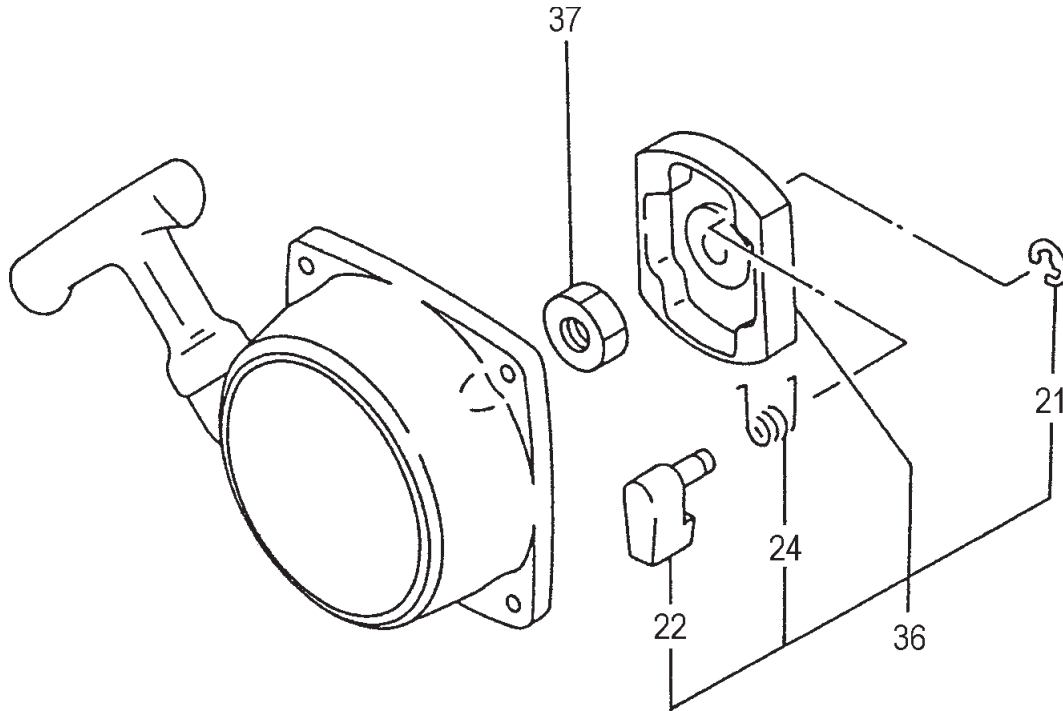
Nikko Tanaka Engineering U.S.A.,Ltd. • 1028 4th Street SW, Bldg B • Auburn, WA 98001 • Phone: (253) 333-1200 • Fax: (253) 333-1212



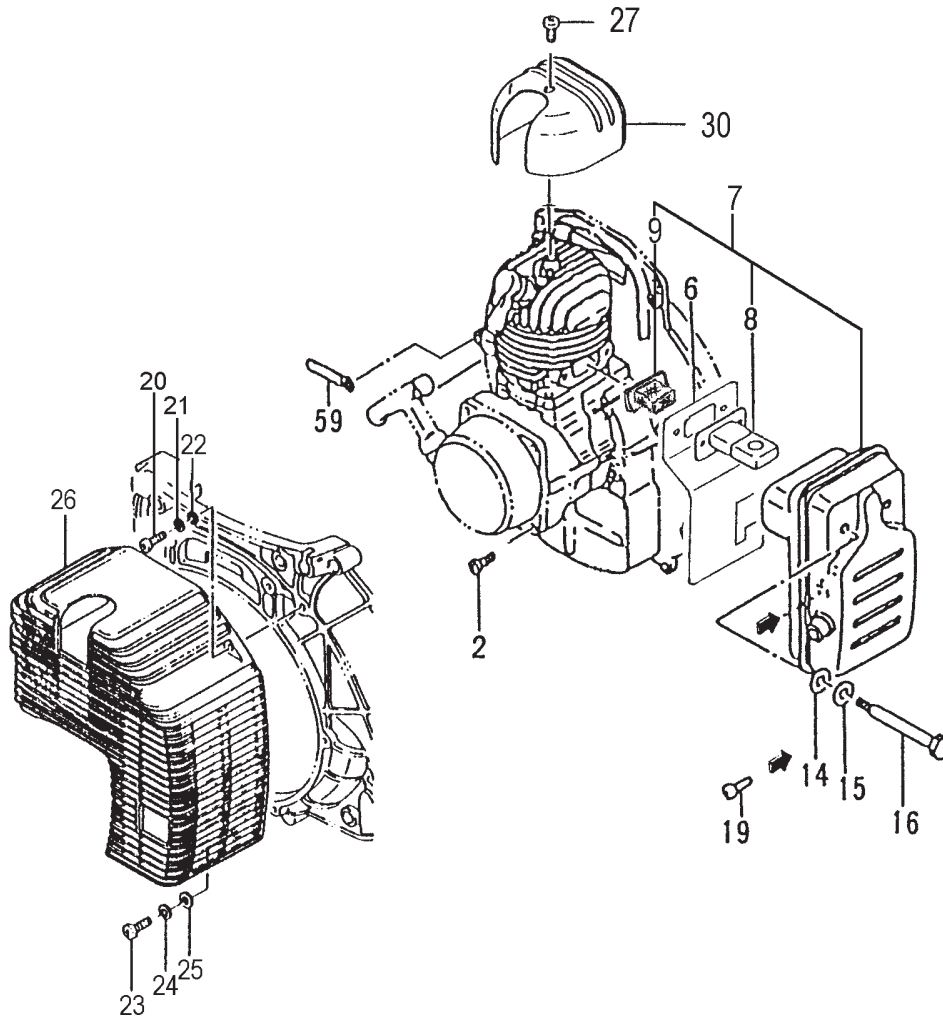
ITEM	PART NUMBER	DESCRIPTION	QTY	COMMENTS
1	15701570900	CAP, SPARK PLUG, ASS'Y	1	
2	01802233200	PLUG, SPARK	1	
6	99101060011	**NUT, 6	4	** Included in SB-4610 Short Block
7	99210060012	**WASHER, S, 6	4	
8	0010503690	**CYLINDER SET	1	Includes gasket
9	01702100202	**GASKET, CYLINDER	1	
10	04105000200	**RING, PISTON	2	
11	0300503690	**PISTON SET	1	Includes rings & circlips
12	0370100020	**PIN, PISTON	1	
13	03905004200	**CIRCLIP, PISTON PIN	1	
16	04605004831	**CRANKSHAFT	1	
17	99962101004	**BEARING, NEEDLE, F1010B	1	
18	06802000200	**KEY, WOODRUFF, 3X13X5	1	



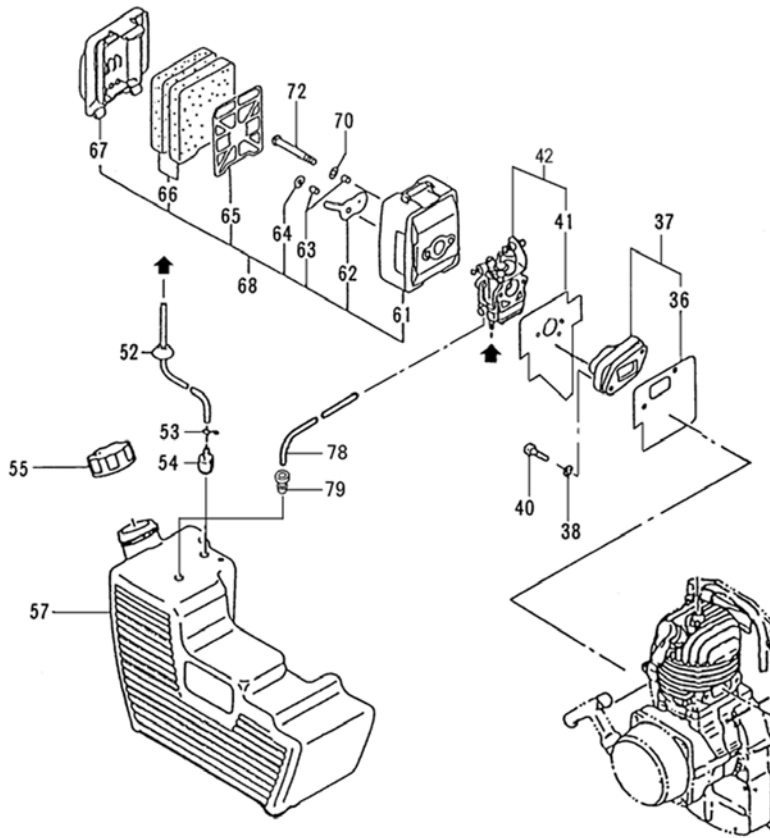
ITEM	PART NUMBER	DESCRIPTION	QTY	COMMENTS
19	07010700200	**WASHER,CRANKSHAFT	2	** Included in SB-4610 Short Block
20	071111109200	**SHIM,17.7X23X.05	1	
20	071111109210	SHIM,17.7X23X.10	1	
20	071111109220	SHIM,17.7X23X.15	1	
20	071111109230	SHIM,17.7X23X.20	1	
20	071111109240	SHIM,17.7X23X.30	1	
26	0720503190	**CRANKCASE ASS'Y	1	Crankcase ass'y includes bearings, seals and gasket
27	99961630312	BEARING,BALL,#6303	2	
28	99966173000	SEAL,OIL,#17307	2	
29	09005004211	GASKET,CRANKCASE	1	
30	10012000200	STUD,6X26	4	
41	66505004201	PLATE,CASE	1	
44	99414050101	SCREW,S,5X10	1	
46	19805015800	CLAMP,CORD	1	
48	99413050101	SCREW,5X10/P	1	
51	2030604A202	GROMMET	1	
56	1622151980	EXCITER	1	
59	99416050221	SCREW,5X22/WS	2	
61	19505015201	COVER,COIL	1	
63	99414050101	SCREW,S,5X10	4	
66	16721519802	COIL,IGNITION	1	
69	99415040151	SCREW,4X15PS	2	
72	99414060351	SCREW,S,6X35	4	
76	1552152680	ROTOR,MAGNETO	1	
77	99200100011	WASHER,10	1	
79	991111100011	NUT,10	1	
81	99011050151	SCREW,5X15	6	
82	99210050012	WASHER,S,5	6	
83	99200050011	WASHER,SMALL,5	6	
84	SB-4610	SHORT BLOCK	1	



ITEM	PART NUMBER	DESCRIPTION	QTY	COMMENTS
21	99355050000	RING,STOP,5	1	
22	7880162V20	PAWL,STARTER	1	
24	7900162V200	SPRING,PAWL,STARTER	1	
36	7980422090	PAWL,STARTER ASS'Y	1	
37	99111100013	NUT,10	1	



ITEM	PART NUMBER	DESCRIPTION	QTY	COMMENTS
2	99415050161	SCREW, 5X16/PS	4	
6	1330503620	SHIELD, HEAT	1	
7	7050503690	MUFFLER ASS'Y	1	
8	71905008800	PIPE, MUFFLER	1	
9	73205008200	ARRESTER, SPARK	1	
14	75105004212	GASKET, MUFFLER	2	
15	99201080011	WASHER, 8	2	
16	75005004201	BOLT, SPECIAL	2	
19	99415060121	SCREW, 6X12	1	
20	99011050201	SCREW, MX20	2	
21	99210050012	WASHER, S, 5	2	
22	99200050011	WASHER, SMALL, 5	2	
23	99011060201	SCREW, 6X20	1	
24	99210060012	WASHER, S, 6	1	
25	99200060011	WASHER, SMALL, 6	1	
26	7380503680	PROTECTOR, MUFFLER	1	
27	99414060141	SCREW 6X14S	1	
30	01605004200	SHROUD, CYLINDER	1	
59	19805015800	CLAMP, CORD	1	

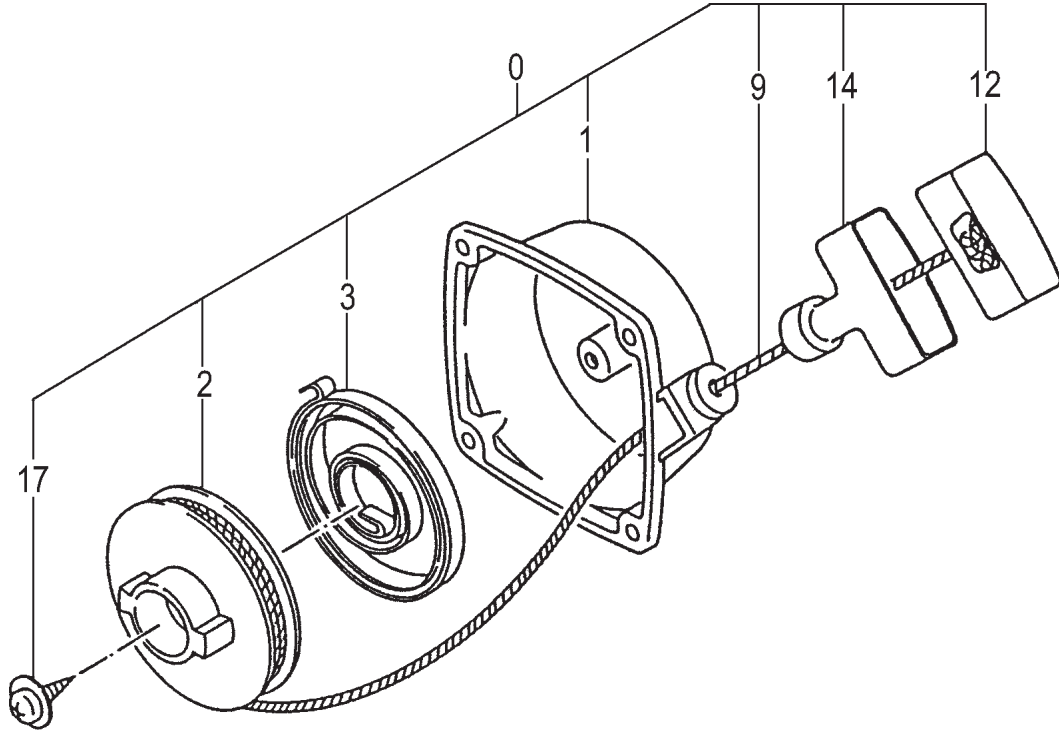


P/N 4554132200

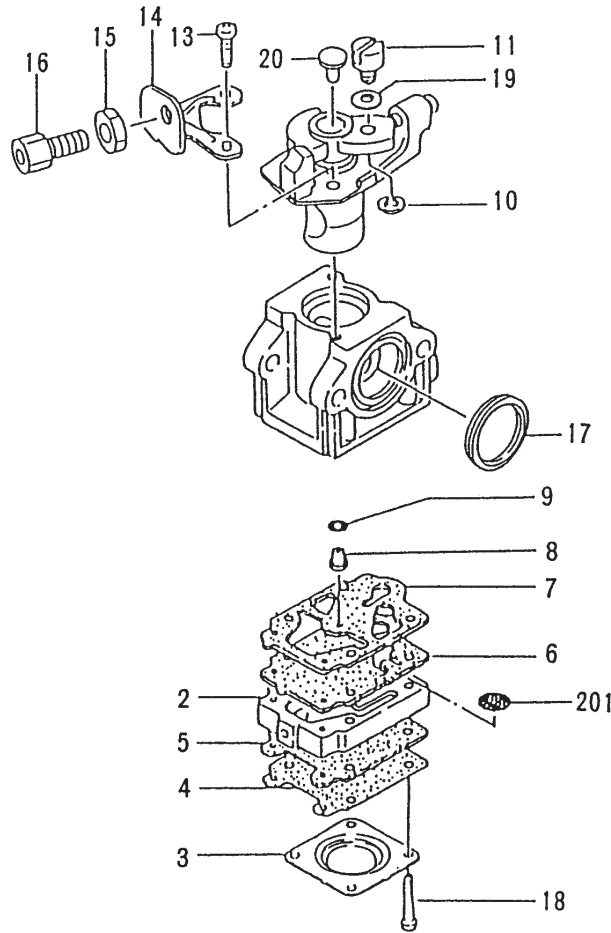
PRIMER UPDATE KIT

Includes fuel tank, fuel pipe with grommet and carburetor with primer - Units before S/N C203901

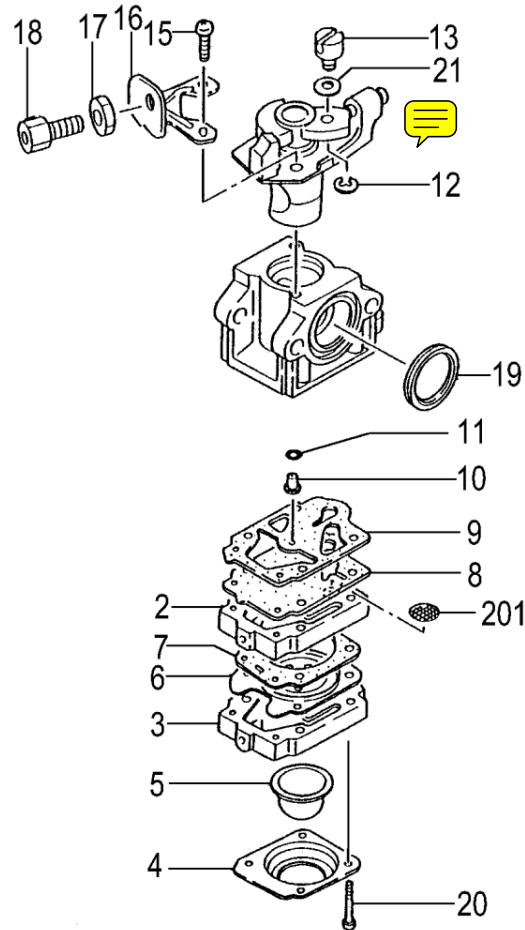
ITEM	PART NUMBER	DESCRIPTION	QTY	COMMENTS
36	4030501521	GASKET,INSULATOR	1	Included in SB-4610 Short Block
37	4040503690	INSULATOR,CARBURETOR	1	Included in SB-4610 Short Block
38	99200050011	WASHER,SMALL,5	2	
40	99414050251	SCREW,5X25	2	
41	4020503620	GASKET,CARBURETOR	1	
42	4550503690	CARBURETOR SET	1	Before S/N ~C203900
42	4550503691	CARBURETOR SET (W/PRIMER)	1	After S/N C203901~
52	22305015900	PIPE,FUEL,3X5X280	1	
53	68004001200	CLIP,5.2	1	
54	67501630900	FILTER,FUEL	1	
55	5950503690	CAP,TANK	1	
57	5910503682	TANK,FUEL,ORANGE	1	Before S/N ~C203900
57	5910503F80	TANK,FUEL,EVAPO	1	After S/N C203901~
61	4230425020	BODY,AIR CLEANER	1	
62	5280072Z20	PLATE,CHOKE	1	
63	4700602K200	COLLAR	2	
64	4530602K200	COLLAR	1	
65	4760634C200	BOARD,BLOW OVER CHECK	1	
66	4460634C200	ELEMENT,CLEANER	2	
67	4240634C200	CAP,CLEANER	1	
68	4100425090	CLEANER,AIR ASS'Y	1	
70	99200050011	WASHER,SMALL,5	2	
72	99414050571	SCREW,5X57,S	2	
78	70002504090	PIPE,FUEL,2.5X4X90	1	After S/N C203901~
79	5343271020	GROMMET,FUEL PIPE	1	



ITEM	PART NUMBER	DESCRIPTION	QTY	COMMENTS
0	7620422090	STARTER,RECOIL ASS'Y	1	
1	7720422080	BODY,RECOIL STARTER	1	
2	7690422020	REEL,STARTER ROPE	1	
3	7790422020	SPRING,RECOIL	1	
9	7830422020	ROPE,STARTER	1	
12	7850422020	HANDLE,STARTER	1	
14	8350422020	CAP,HANDLE	1	
17	8390422020	SCREW,SET	1	

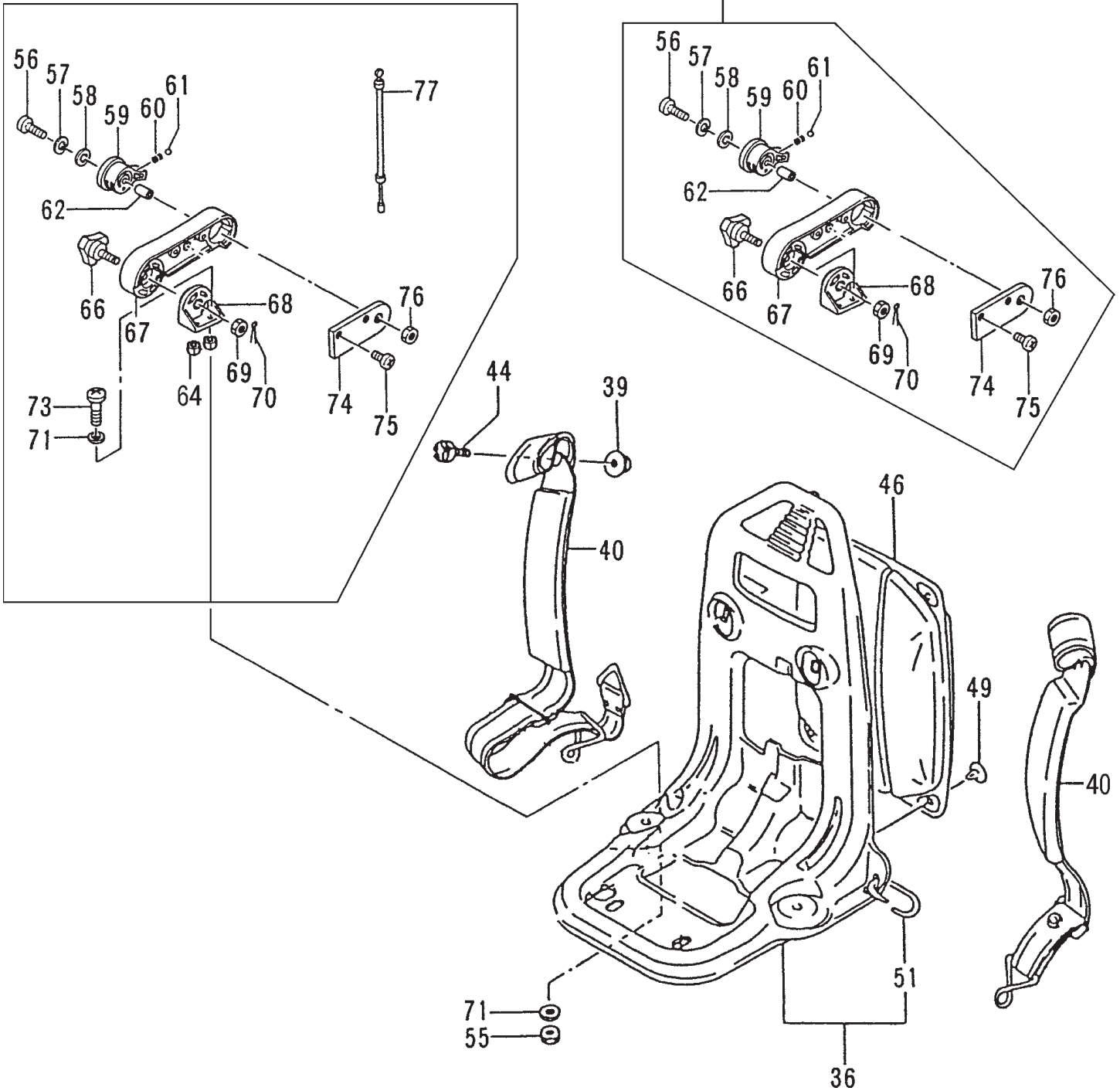


ITEM	PART NUMBER	DESCRIPTION	QTY	COMMENTS
0	4550503690	CARBURETOR SET	1	Before S/N ~C203900
2	5752515280	BODY,PUMP	1	
3	47625004200	COVER,DIAPHRAGM	1	
4	~ ~ ~	METERING DIAPHRAGM	1	~ Included in 650.25124.900
5	~ ~ ~	GASKET,DIAPHRAGM	1	Carburetor Kit. Items not sold
6	~ ~ ~	DIAPHRAGM,PUMP	1	individually
7	~ ~ ~	GASKET,PUMP	1	
8	5992000W460	JET,MAIN,#46	1	
9	55025100200	O-RING	1	
10	48925100200	RING,STOP	1	
11	53925120200	SWIVEL	1	
13	51425100200	SCREW,THROTTLE SET	2	
14	54425164200	STAY,ADJUST,CABLE	1	
15	99101060013	NUT,6	1	
16	61425137200	ADJUSTER,CABLE	1	
17	4310634C200	GASKET,CLEANER	1	
18	54825101200	SCREW,SET	4	
19	5492516520	WASHER,THRUST	1	
201	57825007200	SCREEN,INLET	1	

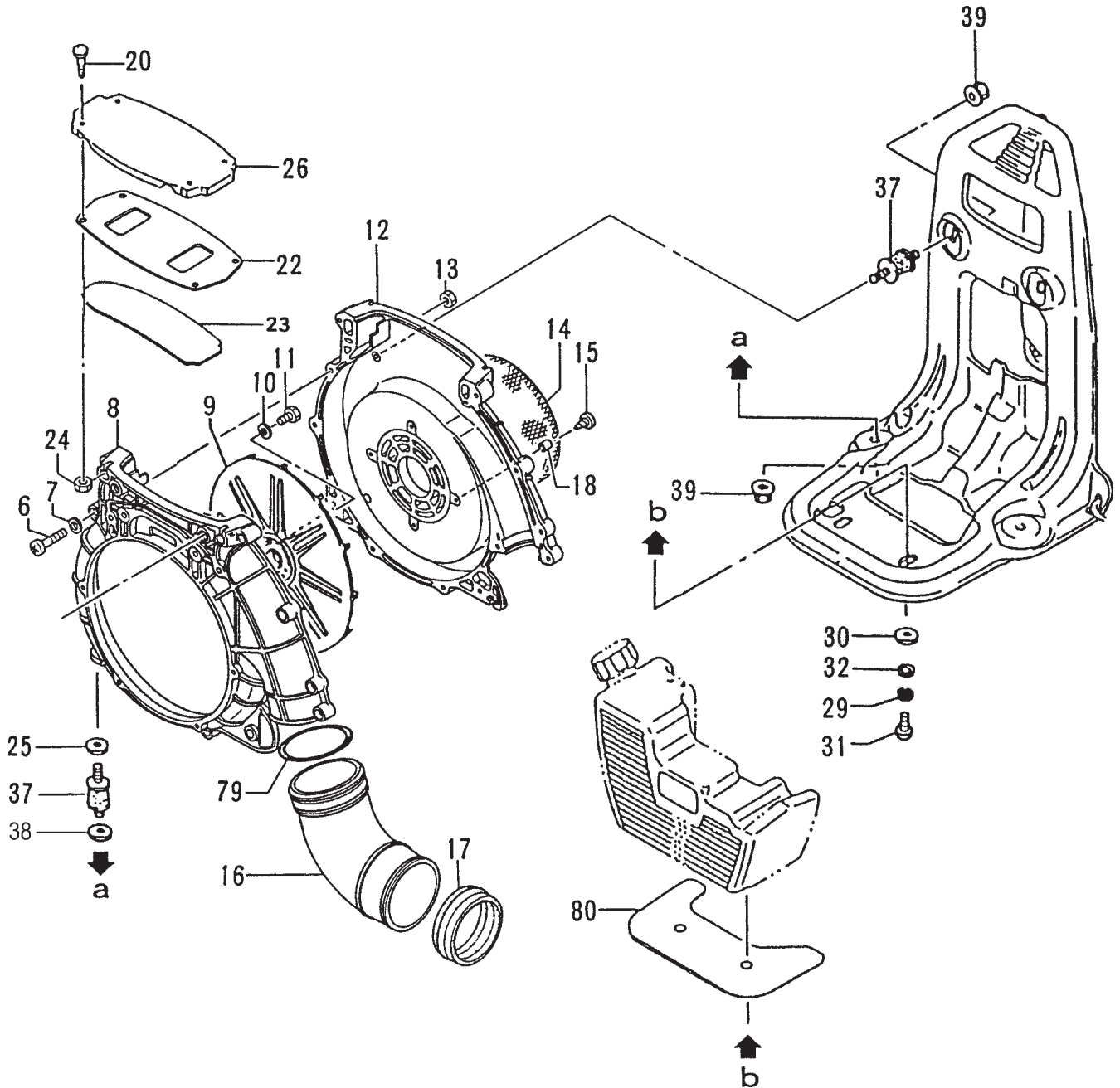


ITEM	PART NUMBER	DESCRIPTION	QTY	COMMENTS
0	4550503691	CARBURETOR SET	1	After S/N C203900~
2	5752515380	BODY,PUMP	1	
3	4422515180	PUMP,PRIMING	1	
4	4762515120	COVER,DIAPHRAGM	1	~ Included in 650.25124.900
5	4472510820	BODY,PRIMING	1	Carburetor Kit. Items not sold
6	~ ~ ~	DIAPHRAGM,METERING	1	individually
7	~ ~ ~	GASKET,DIAPHRAGM	1	
8	~ ~ ~	DIAPHRAGM,PUMP	1	
9	~ ~ ~	GASKET,PUMP	1	
10	5992000W47	JET,MAIN,#41	1	
11	5502510020	O-RING	1	
12	4892510020	RING,STOP	1	
13	53925120200	SWIVEL	1	
15	51425100200	SCREW,THROTTLE SET	2	
16	54425164200	STAY,ADJUST,CABLE	1	
17	99101060013	NUT,6	1	
18	61425137200	ADJUSTER,CABLE	1	
19	4310634C200	GASKET,CLEANER	1	
20	54825101200	SCREW,SET	4	
21	5492516520	WASHER,THRUST	1	
201	57825007200	SCREEN,INLET	1	

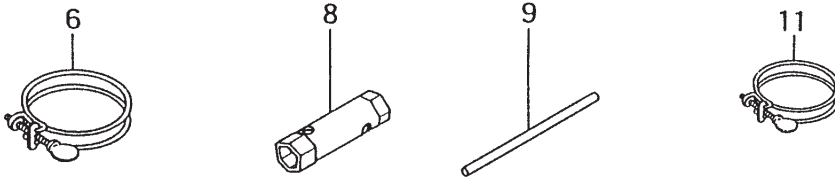
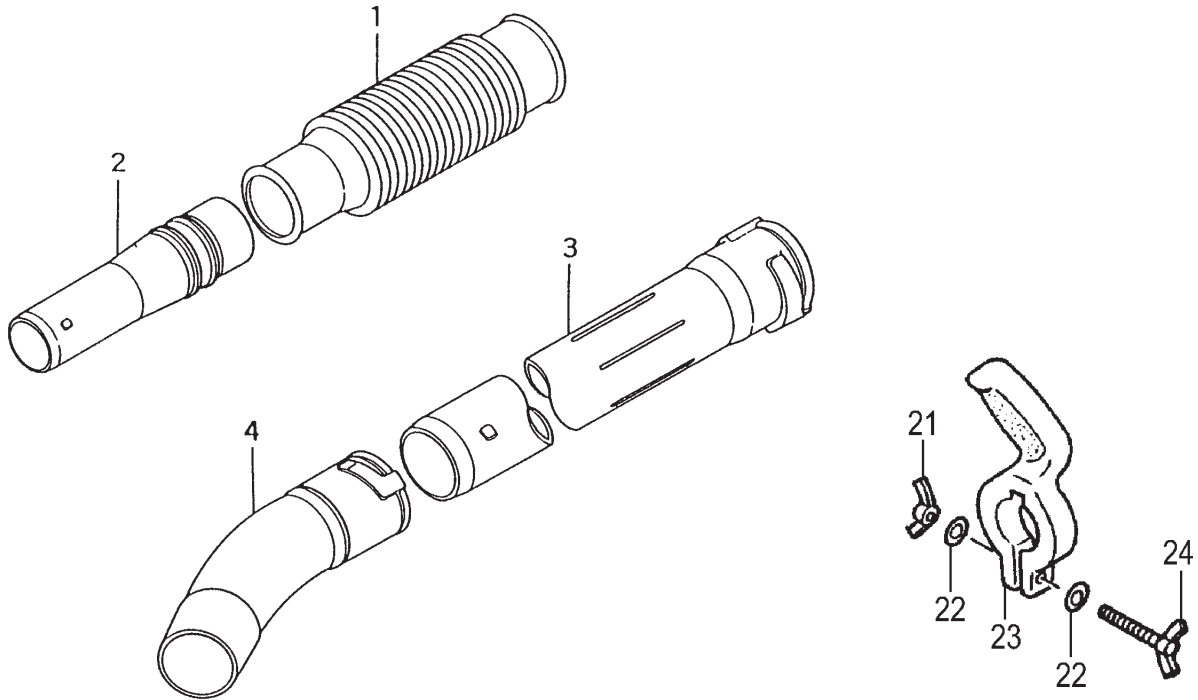
78 - P/N 40336 Throttle Assy



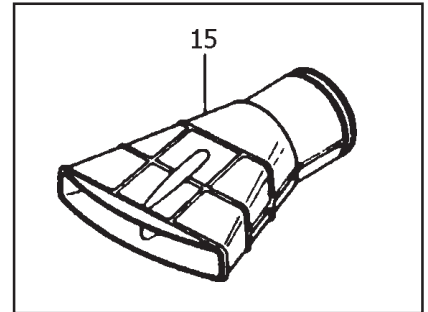
ITEM	PART NUMBER	DESCRIPTION	QTY	COMMENTS
36	0203131380	FRAME	1	
39	0293131320	NUT,SPECIAL	2	
40	0193131980	STRAP,SHOULDER	2	
44	99014060161	SCREW,6X16	2	
46	0213131880	PAD,CUSHION	1	
49	0463131320	FASTENER	4	
51	0453131320	RING,HOLDING	2	
55	99178060010	NUT,LOCK,6	2	
56	99011060251	SCREW,6X25	1	
57	99210060012	WASHER,S,6	1	
58	99200060011	WASHER,SMALL,6	1	
59	2633132220	LEVER,THROTTLE	1	
60	33331310200	SPRING,THROTTLE LEVER	1	
61	33431310200	BALL,STEEL 5/32	1	
62	25631310200	COLLAR	1	
64	99101080013	NUT,8	2	
66	3353131380	KNOB	1	
67	2503132220	ARM,THROTTLE	1	
68	0403131320	BRACKET,THROTTLE LEVER	1	
69	99178080010	NUT,8	1	
70	99290200150	PIN,SPLIT	1	
71	99201060011	WASHER,6	4	
73	99414060301	SCREW,6X30/S	2	
74	24731310200	COVER,THROTTLE LEVER ARM	1	
75	99311041012	SCREW,TAPPING,4X10	2	
76	99101060011	NUT,6	1	
77	8850503680	WIRE,THROTTLE	1	
78	40336	THROTTLE ASSY	1	



ITEM	PART NUMBER	DESCRIPTION	QTY	COMMENTS
6	99011050351	SCREW,5X35	13	
7	99200050011	WASHER,SMALL,5	13	
8	0103131680	CASE,FAN E	1	
9	1270501820	FAN	1	
10	99210060042	WASHER,S,6	3	
11	99021060302	BOLT,6X30	3	
12	01131310200	CASE,FAN,S	1	
13	99101050011	NUT,5	13	
14	05031307200	SCREEN	1	
15	99311052011	SCREW,TAPPING,5X20	4	
16	27031310200	PIPE,BLOW	1	
17	10031310200	BAND,PIPE	1	
18	06031310200	COLLAR	4	
20	99011060301	SCREW,6X30	4	
22	59331310200	GASKET,OIL SEAT	1	
23	01231310200	PLATE,AIR GUIDE	1	
24	99101060011	NUT,6	4	
25	0293131420	NUT,6,SPECIAL	2	
26	0523131620	COVER,FAN CASE	1	
29	99210060012	WASHER,S,6	2	
30	99201060011	WASHER,6	2	
31	99011060181	SCREW,6X18	2	
32	0273131320	WASHER,3.2X25	2	
37	03031307200	CUSHION	4	
38	4353131820	SPACER,7.5X30X3	2	
39	0293131320	NUT,SPECIAL	4	
79	99967070020	O-RING,P-70	1	
80	6050501820	PLATE,TANK	1	



Optional Fan Head



ITEM	PART NUMBER	DESCRIPTION	QTY	COMMENTS
1	10131310200	PIPE,FLEXIBLE	1	
2	10231310200	PIPE,SWIVEL	1	
3	10331310200	PIPE,STRAIGHT,LONG	1	
4	10431310200	PIPE,BENT	1	
6	11031310200	CLAMP,WIRE 92	1	
8	8262000080	SPANNER,COMBI,17X19	1	
9	95120000200	HANDLE,8X120	1	
11	11131305200	CLAMP,WIRE 78	1	
15	27331307200	FAN HEAD	1	OPTIONAL
21	99161060012	NUT,WING,6	1	
22	99201060011	WASHER,6	2	
23	26724	HANDLE,TBL	1	
24	99060060501	BOLT,WING 6X50	1	



2

IMPORTANT:

USE CORRECT MIXTURE
OF TWO-STROKE OIL
AND GASOLINE.

5



3



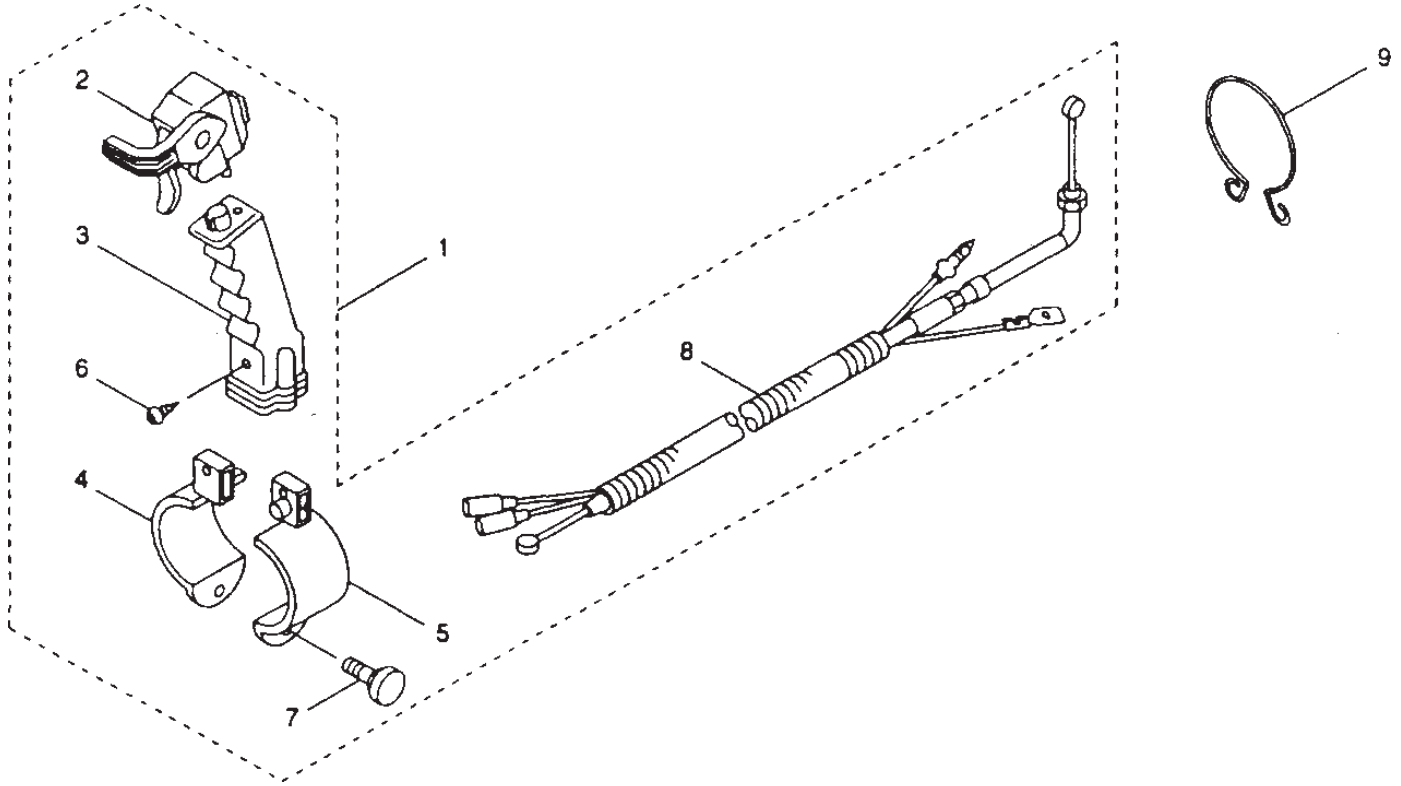
20

IMPORTANT!!

Wash cleaner element in warm soapy water and squeeze, air dry. Then saturate the sponge in 2 cycle oil or the equivalent, squeeze the sponge to distribute the oil completely and to remove excess oil.

6

ITEM	PART NUMBER	DESCRIPTION	QTY	COMMENTS
2	9290430020	DECAL	1	
3	9060503620	DECAL, TBL-4610	1	
5	9210503120	DECAL, CAUTION	1	
6	9083316021	DECAL, CAUTION	1	
20	9203246620	DECAL, CAUTION	1	



ITEM	PART NUMBER	DESCRIPTION	QTY	COMMENTS
1	29603	KIT, THROTTLE, TBL	1	
2	29873	LEVER, THROTTLE	1	
3	29878	GRIP	1	
4	29880	BAND, (RIGHT)	1	
5	29879	BAND, (LEFT)	1	
6	29881	SCREW, 5X20	1	
7	29882	BOLT, KNOB	1	
8	29883	WIRE, THROTTLE, ASSY	1	
9	29884	CLAMP	1	